

# CRYSTAL OSCILLATOR

(SMD TYPE)

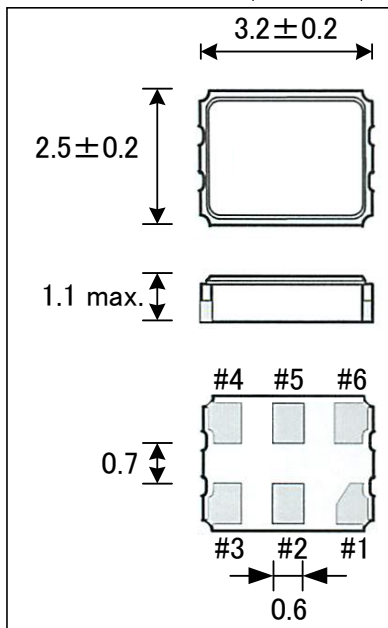
AOK-P3225HT

Surface Mount Type LVPECL Crystal Oscillator(AEC-Q200 Compliance Model)

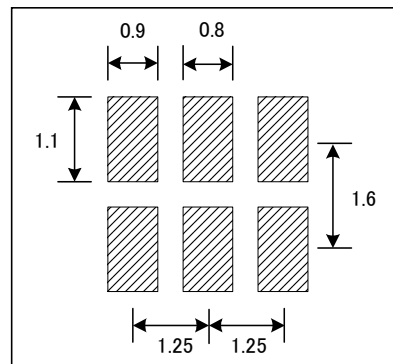
## SPECIFICATIONS

Frequency Range	40 ~ 250.00	MHz
Frequency Stability	±25(40~170MHz), ±50,±100	ppm
Supply Voltage	2.5±5%,3.3±5%	V
Current Consumption	50 max.	mA
Output Voltage	$V_{OH}: V_{CC}-1.025 \sim V_{CC}-0.88$ $V_{OL}: V_{CC}-1.81 \sim V_{CC}-1.62$	V
Symmetry	45/55	%
Rise/Fall Time	0.4 max.	nS
Load	50	Ω
Operating Temperature	-40~+85, -40~+105, -40~+125	°C
Storage Temperature	-55~+125	°C
RMS Jitter	5 (RMS)	ps
Phase Jitter	1 (12KHz~20MHz) ex0.4ps type@100MHz	ps

## CASE DIMENSIONS (Unit:mm)



## RECOMMENDED PADS



## PIN CONNECTIONS

Pin#1	E/D	Pin#4	Out 1
Pin#2	NC	Pin#5	Out 2
Pin#3	GND	Pin#6	Vcc

## E/D FUNCTION

Pin#1	Open	Pin#4,5	Active
Pin#1	≥0.7Vcc	Pin#4,5	Active
Pin#1	≤0.3Vcc	Pin#4,5	High-Z