

CRYSTAL OSCILLATOR

(SMD TYPE)

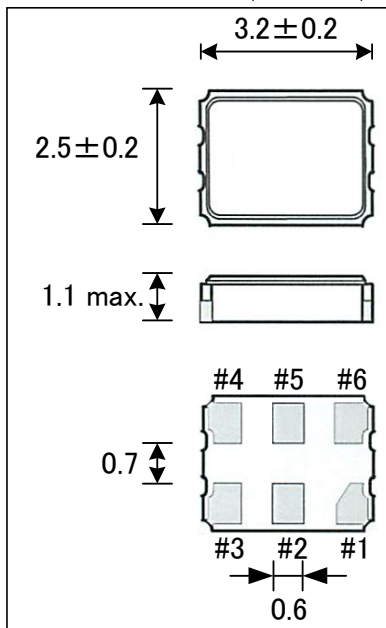
AOK-L3225HT

Surface Mount Type LVDS Crystal Oscillator(AEC-Q200 Compliance Model)

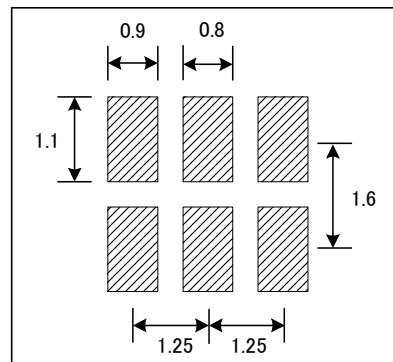
SPECIFICATIONS

| | | |
|-----------------------------|-------------------------------------|-----|
| Frequency Range | 40 ~ 250.00 | MHz |
| Frequency Stability | ±25(40~170MHz), ±50,±100 | ppm |
| Supply Voltage | 2.5±5%,3.3±5% | V |
| Current Consumption | 50 max. | mA |
| Differential Output Voltage | 0.247~0.454 (@1.25V) | V |
| Symmetry | 45/55 | % |
| Rise/Fall Time | 0.4 max. | nS |
| Load | 100 | Ω |
| Operating Temperature | -40~+85, -40~+105, -40~+125 | °C |
| Storage Temperature | -55~+125 | °C |
| RMS Jitter | 5 (RMS) | ps |
| Phase Jitter | 1 (12KHz~20MHz) ex0.4ps type@100MHz | ps |

CASE DIMENSIONS (Unit:mm)



RECOMMENDED PADS



PIN CONNECTIONS

| | | | |
|-------|-----|-------|-------|
| Pin#1 | E/D | Pin#4 | Out 1 |
| Pin#2 | NC | Pin#5 | Out 2 |
| Pin#3 | GND | Pin#6 | Vcc |

E/D FUNCTION

| | | | |
|-------|---------|---------|--------|
| Pin#1 | Open | Pin#4,5 | Active |
| Pin#1 | ≥0.7Vcc | Pin#4,5 | Active |
| Pin#1 | ≤0.3Vcc | Pin#4,5 | High-Z |