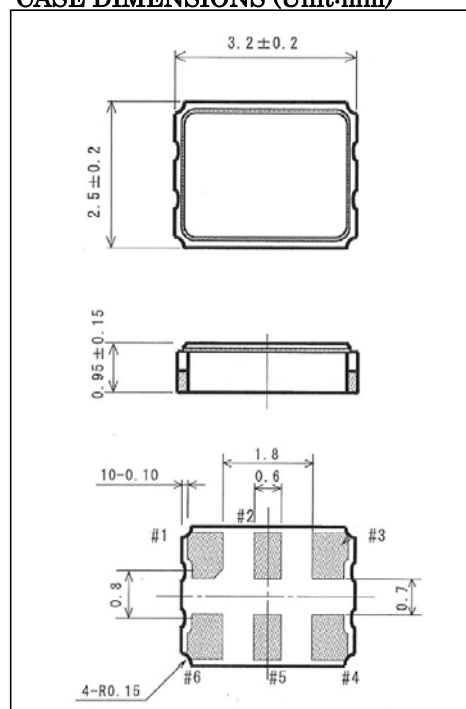


CRYSTAL OSCILLATOR	(SMD TYPE)	AOK-C3225DO
Dual Output Surface Mount Type CMOS Crystal Oscillator		

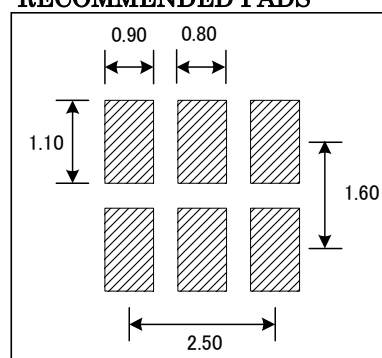
**SPECIFICATIONS**

	AOK-C3225DO	
Output Frequency 1	20, 24, 25, 26, 32, 38.4, 40, 48	MHz
Output Frequency 2	32.768	KHz
Frequency Stability	±25,±50	ppm
Supply Voltage	3.3±10%	V
Input Current	3.0mA max.(MHz), 35µA max.(kHz)	mA
Output Voltage	$V_{OH}$ : 0.9V <sub>DD</sub> min. $V_{OL}$ : 0.1V <sub>DD</sub> max.	V
Symmetry	40/60	%
Rise/Fall Time	5 max.(MHz), 1200(KHz)	nS
Load	15	pF
Operating Temperature	-40~+85	°C
Storage Temperature	-50~+125	°C
Start up Time	5max. (MHz), 20max.(kHz)	mS

**CASE DIMENSIONS (Unit:mm)**



**RECOMMENDED PADS**



**E/D FUNCTION**

Pin#1: Open	Pin#2: Active, Pin#4: High-Z
Pin#1: $\geq 0.7V_{DD}$	Pin#2: Active, Pin#4: Active
Pin#1: $\leq 0.3V_{DD}$	Pin#2: Active, Pin#4: High-Z

**PIN CONNECTIONS**

Pin#1	E/D	Pin#4	Output 1
Pin#2	Output 2	Pin#5	NC
Pin#3	GND	Pin#6	Vdd

**Dual Output**

Output 1: MHz output (Customer's request)

Output 2: 32.768KHz