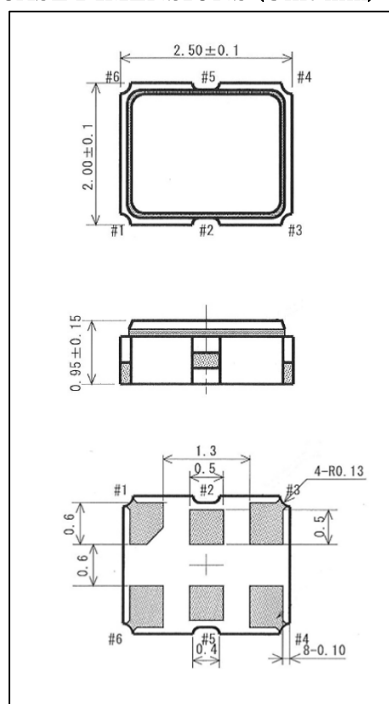


CRYSTAL OSCILLATOR	(SMD TYPE)	AOK-C2520DO
Dual Output Surface Mount Type CMOS Crystal Oscillator		

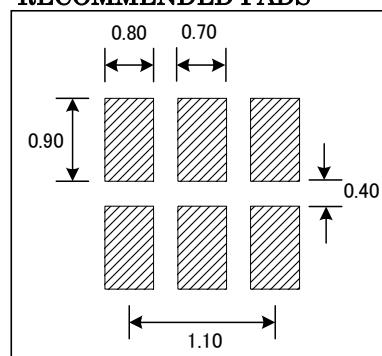
SPECIFICATIONS

	AOK-C2520DO	
Output Frequency 1	20, 24, 25, 26, 32, 38.4, 40, 48	MHz
Output Frequency 2	32.768	KHz
Frequency Stability	±25,±50	ppm
Supply Voltage	3.3±10%	V
Input Current	3.0mA max.(MHz), 35µA max.(kHz)	mA
Output Voltage	V_{OH} : 0.9V _{DD} min. V_{OL} : 0.1V _{DD} max.	V
Symmetry	40/60	%
Rise/Fall Time	5 max.(MHz), 1200(KHz)	nS
Load	15	pF
Operating Temperature	-40~+85	°C
Storage Temperature	-50~+125	°C
Start up Time	5max. (MHz), 20max.(kHz)	mS

CASE DIMENSIONS (Unit:mm)



RECOMMENDED PADS



E/D FUNCTION

Pin#1: Open	Pin#2: Active, Pin#4: High-Z
Pin#1: ≥0.7V _{DD}	Pin#2: Active, Pin#4: Active
Pin#1: ≤0.3V _{DD}	Pin#2: Active, Pin#4: High-Z

PIN CONNECTIONS

Pin#1	E/D	Pin#4	Output 1
Pin#2	Output 2	Pin#5	NC
Pin#3	GND	Pin#6	Vdd

Dual Output

Output 1: MHz output (Customer's request)
Output 2: 32.768KHz