

CRYSTAL OSCILLATOR

(SMD TYPE)

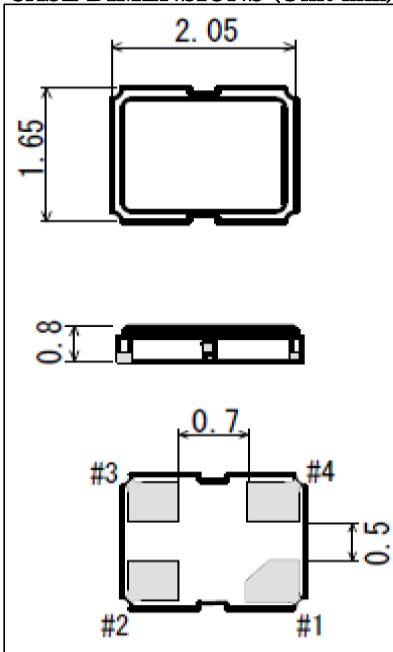
AOK-C2016HT

Surface Mount Type CMOS Crystal Oscillator(AEC-Q200 Compliance Model)

SPECIFICATIONS

Frequency Range	1.8 ~ 170.00(1.8~133.00 @1.8V)			MHz
Frequency Stability	±25, ±50	±50, ±100	±100, ±150	ppm
Supply Voltage	1.8±5%, 2.5±5%, 3.3±5%			V
Current Consumption	40 max.			mA
Output Voltage	$V_{OH}: 0.9V_{DD} \text{ min.}(0.8V @1.8V)$			V
	$V_{OL}: 0.1V_{DD} \text{ max.}(0.2V @1.8V)$			
Symmetry	45/55			%
Rise/Fall Time	6 max.			nS
Load	15			pF
Operating Temperature	-40~+85	-40~+105	-40~+125	°C
Storage Temperature	-55~+125			°C

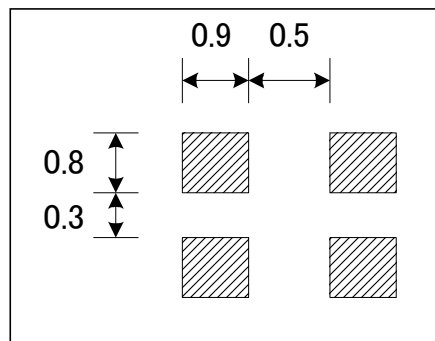
CASE DIMENSIONS (Unit:mm)



PIN CONNECTIONS

Pin#1	E/D(NC)	Pin#3	Output
Pin#2	GND	Pin#4	V_{DD}

RECOMMENDED PADS



E/D FUNCTION

Pin#1: Open	Pin#3: Active
Pin#1: $\geq 0.7V_{DD}$	Pin#3: Active
Pin#1: $\leq 0.3V_{DD}$	Pin#3: High-Z