

**VOLTAGE CONTROLLED
CRYSTAL OSCILLATOR**

(SMD TYPE)

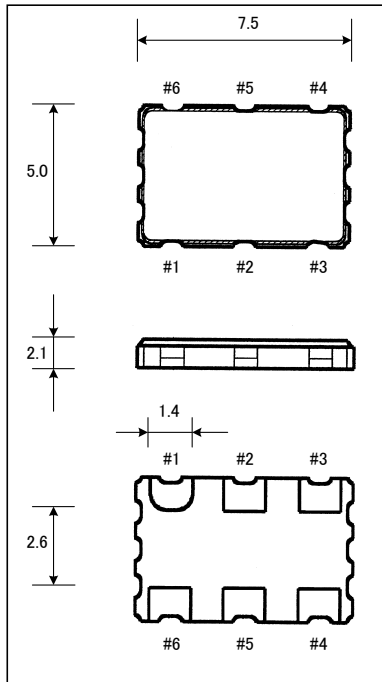
AXK-C7550(5)

Surface Mount Type CMOS Voltage Controlled Crystal Oscillator

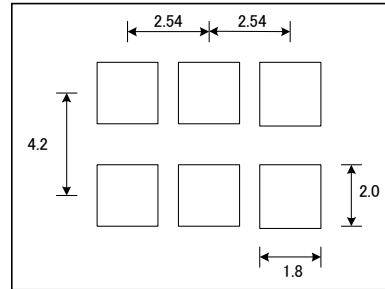
SPECIFICATIONS

Frequency Range	1.00 ~ 80.00	MHz
Frequency Stability	±50, ±100	ppm
Supply Voltage	5.0±5%	V
Control Voltage	2.5±2.0	V
Frequency Pulling	± 100 min.	ppm
Current Consumption	30 max. (1~36MHz)	mA
	40 max.(36+~52MHz)	
	50 max.(52+~80MHz)	
Output Voltage	V _{OH} : 4.5 min.	V
	V _{OL} : 0.5 max.	
Symmetry	40/60	%
Rise/Fall Time	5 max.	nS
Load	15	pF
Operating Temperature	-10~+70	°C
Storage Temperature	-50~+125	°C

CASE DIMENSIONS (Unit:mm)



RECOMMENDED PADS



(We recommend external by-pass filter 0.01uF)

PIN CONNECTIONS

Pin#1	Vcont	Pin#4	Output
Pin#2	E/D(NC)	Pin#5	NC(E/D)
Pin#3	Vss	Pin#6	V _{DD}

E/D FUNCTION

Pin#2 or 5: Open	Pin#4: Active
Pin#2 or 5: ≤2.2V	Pin#4: Active
Pin#2 or 5: ≥0.8V	Pin#4: High-Z