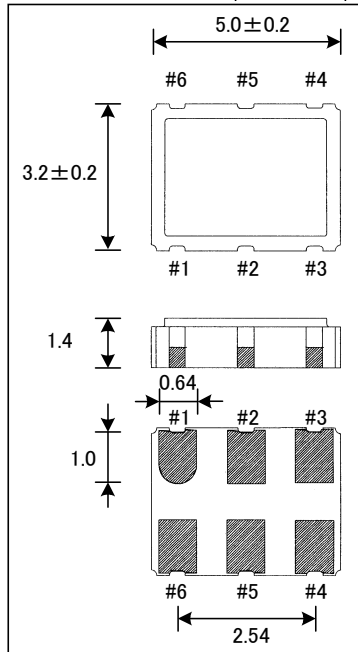


<b>VOLTAGE CONTROLLED CRYSTAL OSCILLATOR</b>	<b>(SMD TYPE)</b>	<b>AXK-C5032(5)</b>
<b>5.0mm*3.2mm Surface Mount Type Voltage Controlled Crystal Oscillator</b>		

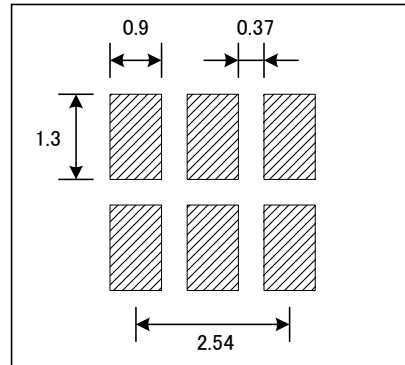
**SPECIFICATIONS**

Type No.	AXK-C5032(5)	
Frequency Range	1.00 ~ 80.00	MHz
Frequency Stability	$\pm 50, \pm 100$	ppm
Supply Voltage	$5.0 \pm 5\%$	V
Control Voltage	$2.5 \pm 2.0$	V
Frequency Pulling	$\pm 50, \pm 100$ min.	ppm
Current Consumption	50 max.	mA
Output Voltage	$V_{OH}: 4.5$ min.	V
	$V_{OL}: 0.5$ max.	
Symmetry	40/60	%
Rise/Fall Time	5 max.	nS
Load	15	pF
Operating Temperature	-10~+70	°C
Storage Temperature	-50~+125	°C

**CASE DIMENSIONS (Unit:mm)**



**RECOMMENDED PADS**



(We recommend external by-pass filter 0.01uF)

**PIN CONNECTIONS**

Pin#1	Vcont	Pin#4	Output
Pin#2	E/D(NC)	Pin#5	NC(E/D)
Pin#3	GND	Pin#6	V <sub>DD</sub>

**E/D FUNCTION**

Pin#2or5: Open	Pin#4: Active
Pin#2or5: $\geq 2.2V$	Pin#4: Active
Pin#2or5: $\leq 0.8V$	Pin#4: High-Z