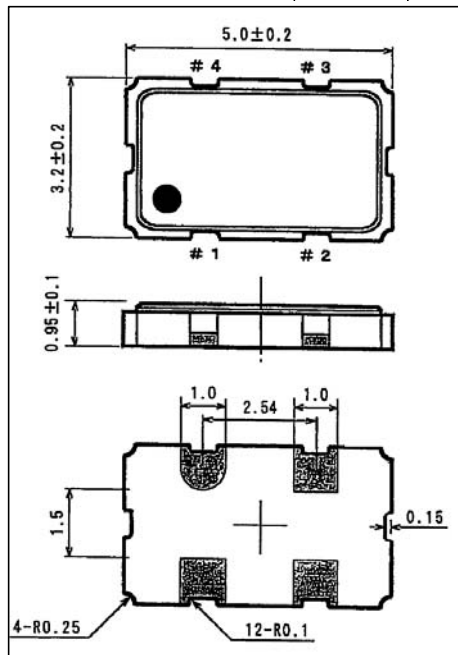


<b>CRYSTAL OSCILLATOR</b>	(SMD TYPE)	<b>AOK-C5032(5)</b>
Surface Mount Type CMOS Crystal Oscillator		

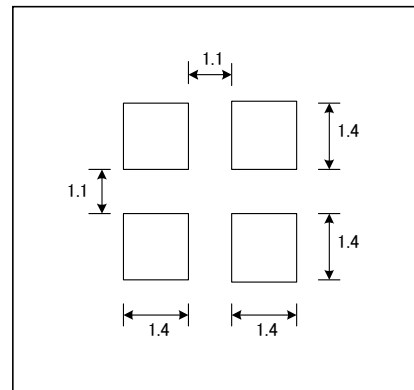
**SPECIFICATIONS**

	AOK-C5032(5)	
Frequency Range	2~ 50.00	MHz
Frequency Stability	±25,±50	ppm
Supply Voltage	5.0±5%	V
Input Current	45	mA
Output Voltage	V <sub>OH</sub> : 4.5 min. V <sub>OL</sub> : 0.5 max.	V
Symmetry	40/60	%
Rise/Fall Time	5 max.(~80MHz) 4 max.(80MHz~)	nS
Load	50	pF
Operating Temperature	-40~+85	°C
Storage Temperature	-50~+125	°C
Start up Time	10	mS

**CASE DIMENSIONS (Unit:mm)**



**RECOMMENDED PADS**



**E/D FUNCTION**

Pin#1: Open	Pin#3: Active
Pin#1: ≥0.7V <sub>DD</sub>	Pin#3: Active
Pin#1: ≤0.3V <sub>DD</sub>	Pin#3: High-Z

**PIN CONNECTIONS**

Pin#1	E/D	Pin#3	Output
Pin#2	V <sub>SS</sub>	Pin#4	V <sub>DD</sub>