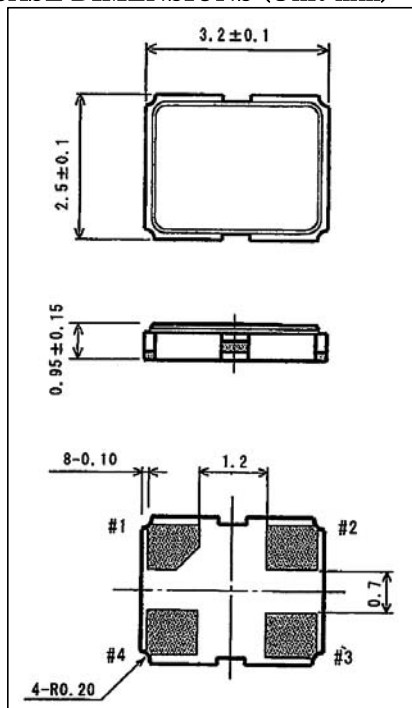


CRYSTAL OSCILLATOR	(SMD TYPE)	AOK-C3225(5)
Surface Mount Type CMOS Crystal Oscillator		

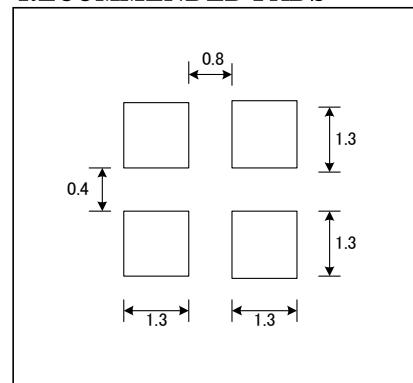
SPECIFICATIONS

	AOK-C3225(5)	
Frequency Range	2~ 170.00	MHz
Frequency Stability	±25,±50	ppm
Supply Voltage	5.0±5%	V
Input Current	50(≤50MHz),90(>50MHz)	mA
Output Voltage	V _{OH} : 4.5 min. V _{OL} : 0.5 max.	V
Symmetry	40/60	%
Rise/Fall Time	7 max.	nS
Load	15	pF
Operating Temperature	-40~+85	°C
Storage Temperature	-50~+125	°C
Start up Time	10	mS

CASE DIMENSIONS (Unit:mm)



RECOMMENDED PADS



E/D FUNCTION

Pin#1: Open	Pin#3: Active
Pin#1: $\geq 0.7V_{DD}$	Pin#3: Active
Pin#1: $\leq 0.3V_{DD}$	Pin#3: High-Z

PIN CONNECTIONS

Pin#1	E/D	Pin#3	Output
Pin#2	V _{SS}	Pin#4	V _{DD}