

# Insat C-band 10W BUC

## MODEL No. NJT5764 series

### < Features >

- \* **High Efficiency & Low Distortion**
  - P1dB: +40 dBm min. over temperature
  - IM3: -28 dBc @ Pout = +37 dBm
  - Power Consumption: 73 W
- \* **Compact Size & Light Weight**
  - Weight: 3.2kg
- \* **AC Power Option**
- \* **LED Indicator**
- \* **RoHS Compliance**



### < Line-up >

Model No.	RF Frequency	Local Frequency	IF Frequency	Output Power @ P1dB	IF Connector	Power Supply	Port for Voltage Input	LED Indicator
NJT5764N	6.725 to 7.025 GHz (Insat C-band)	5.76 GHz	965 to 1,265 MHz	10W Linear (+40 dBm min.)	N-type	DC Power +24/+48 VDC (+18 to +60 VDC)	Same as IF Connector	Equipped
NJT5764F					F-type			
NJT5764NM					N-type		MS Connector (Separate Port)	
NJT5764FM					F-type			
NJT5764NA					N-type	AC Power Option	IF Connector Supplied by AC PSU	
NJT5764FA					F-type			

### < Specifications >

Item	Specifications
Output Interface	Waveguide, CPR137 (with Groove)
Input Interface	N-type, female (50 ohm) [Model No.: NJT5764N/64NM/64NA] F-type, female (75 ohm) [Model No.: NJT5764F/64FM/64FA]
Output Power @ 1 dB G.C.P.	+40 dBm min. over temperature
Linear Gain	64 dB nom., 58 dB min.
IM3	-28 dBc typ. @total power = +40dBm - 3dB
Requirement for External Reference	[Frequency] 10 MHz (sine-wave)
	[Input Power] -5 to +5 dBm @ Input port
	[Phase Noise] -125 dBc/Hz max. @ 100 Hz
	-135 dBc/Hz max. @ 1 kHz
L.O. Phase Noise	-140 dBc/Hz max. @ 10 kHz
	-60 dBc/Hz max. @ 100 Hz
	-70 dBc/Hz max. @ 1 kHz
	-80 dBc/Hz max. @ 10 kHz
Receive Band Noise Density	-87 dBm/4kHz max. @4.500 to 4.800 GHz
Input V.S.W.R.	2.0 : 1 max.
Output V.S.W.R.	2.0 : 1 max.
Power Requirement / Consumption	+24 / +48 VDC (+18 to +60 VDC) / 73 W typ., 80 W max.
	AC Power Option: 90 to 264 VAC at Indoor AC/DC PSU [Model No.: NJT5764NA/64FA]
Mute	Shut off the HPA in case of L.O. unlocked or no 10 MHz reference signal
LED Indicator	GREEN: L.O. locked / RED: L.O. unlocked or no 10 MHz reference signal
Port for Voltage Input	Same as IF Connector [Model No.: NJT5764N/64F]
	MS Connector (Separate Port) [Model No.: NJT5764NM/64FM]
	IF Connector supplied by AC/DC PSU via IF Cable [Model No.: NJT5764A/64FA]
Temperature Range (ambient)	-40 to +55 °C (operating), -40 to +75 °C (storage)
Waterproof/Dustproof (IP Code)	IP 67
Dimension & Housing ( without Interface Connectors )	219.5 mm (L) x 175 mm (W) x 99 mm (H)
	[8.64" (L) x 6.89" (W) x 3.90" (H)]
Weight	3.2 kg [7.0 lbs]

\*Note: The contents of this sheet are subject to change without notice.

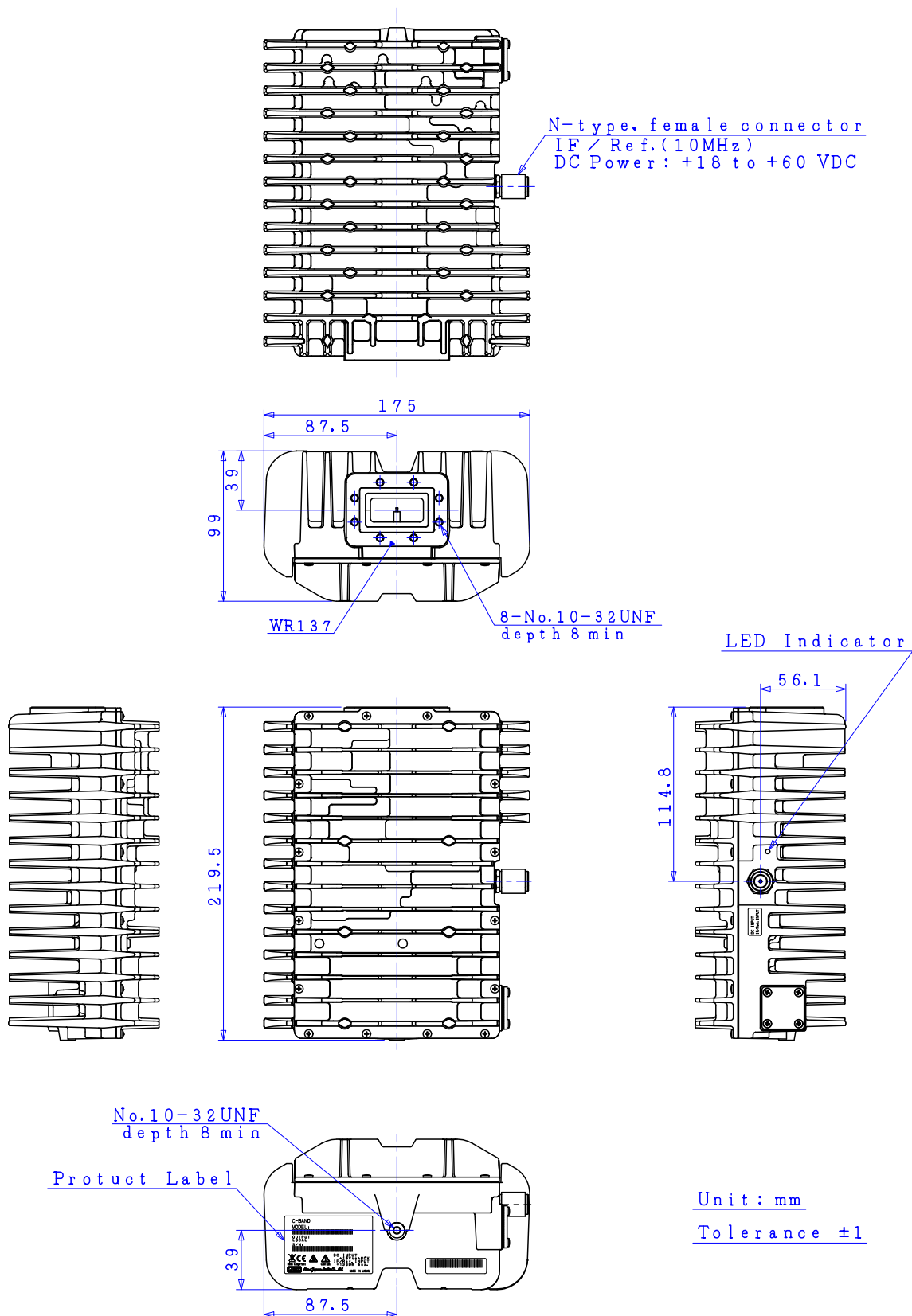
(1/8)  
Rev.03(Mar. 2017) Insat C 10W BUC\_NJT5764

# Insat C-band 10W BUC

## MODEL No. NJT5764 series

### < Outline Drawing >

#### N-type, female Connector Model / DC Input: IF Connector



\*Note: The contents of this sheet are subject to change without notice.

(2/8)  
Rev.03(Mar. 2017) Insat C 10W BUC\_NJT5764

**JRC** New Japan Radio Co., Ltd.

Microwave Division

URL: <http://mc.njr.co.jp> email: [mcsales@njr.co.jp](mailto:mcsales@njr.co.jp)

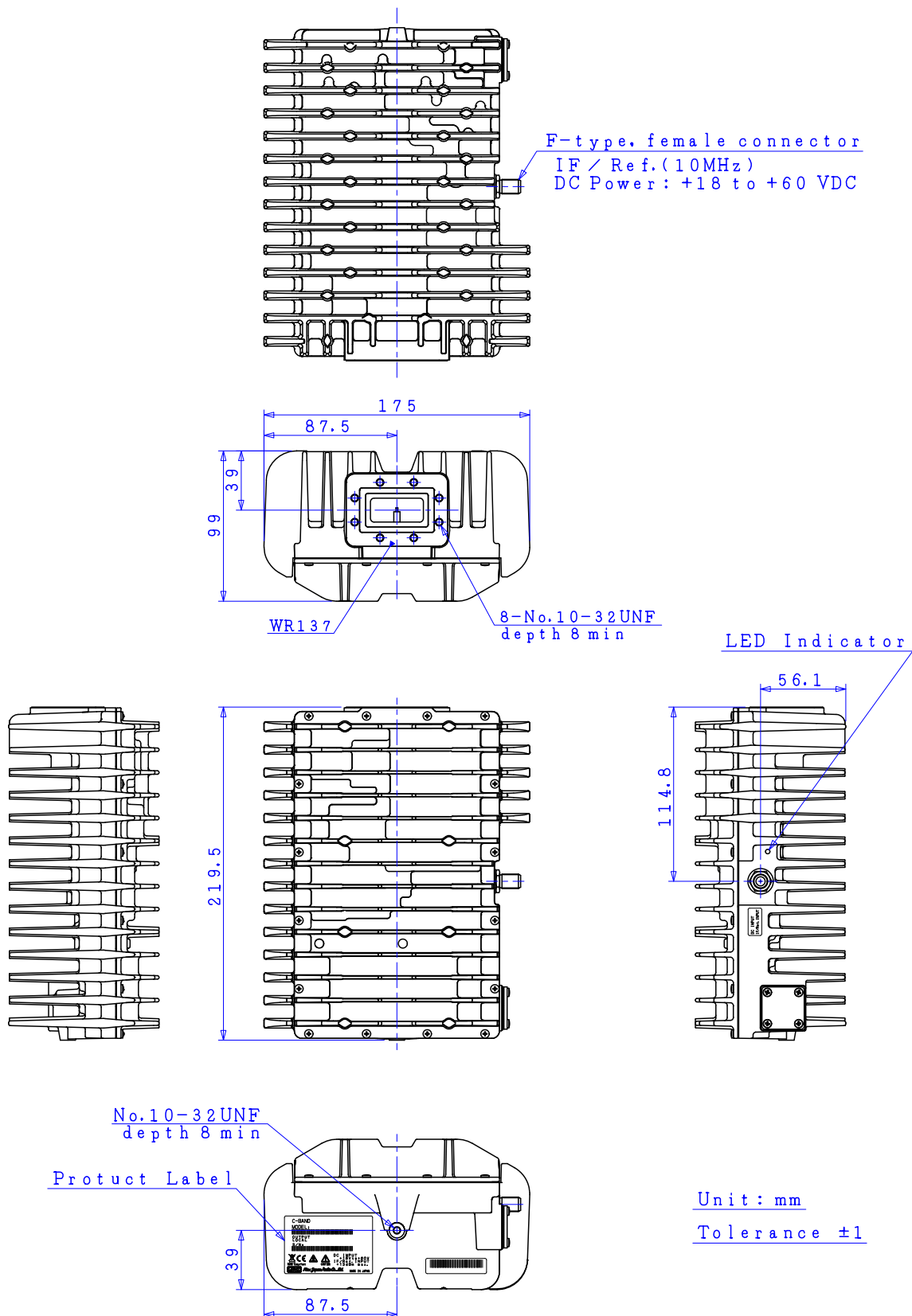
Copyright © 2017 New Japan Radio Co., Ltd.

# Insat C-band 10W BUC

## MODEL No. NJT5764 series

### < Outline Drawing >

#### F-type, female Connector Model / DC Input: IF Connector



\*Note: The contents of this sheet are subject to change without notice.

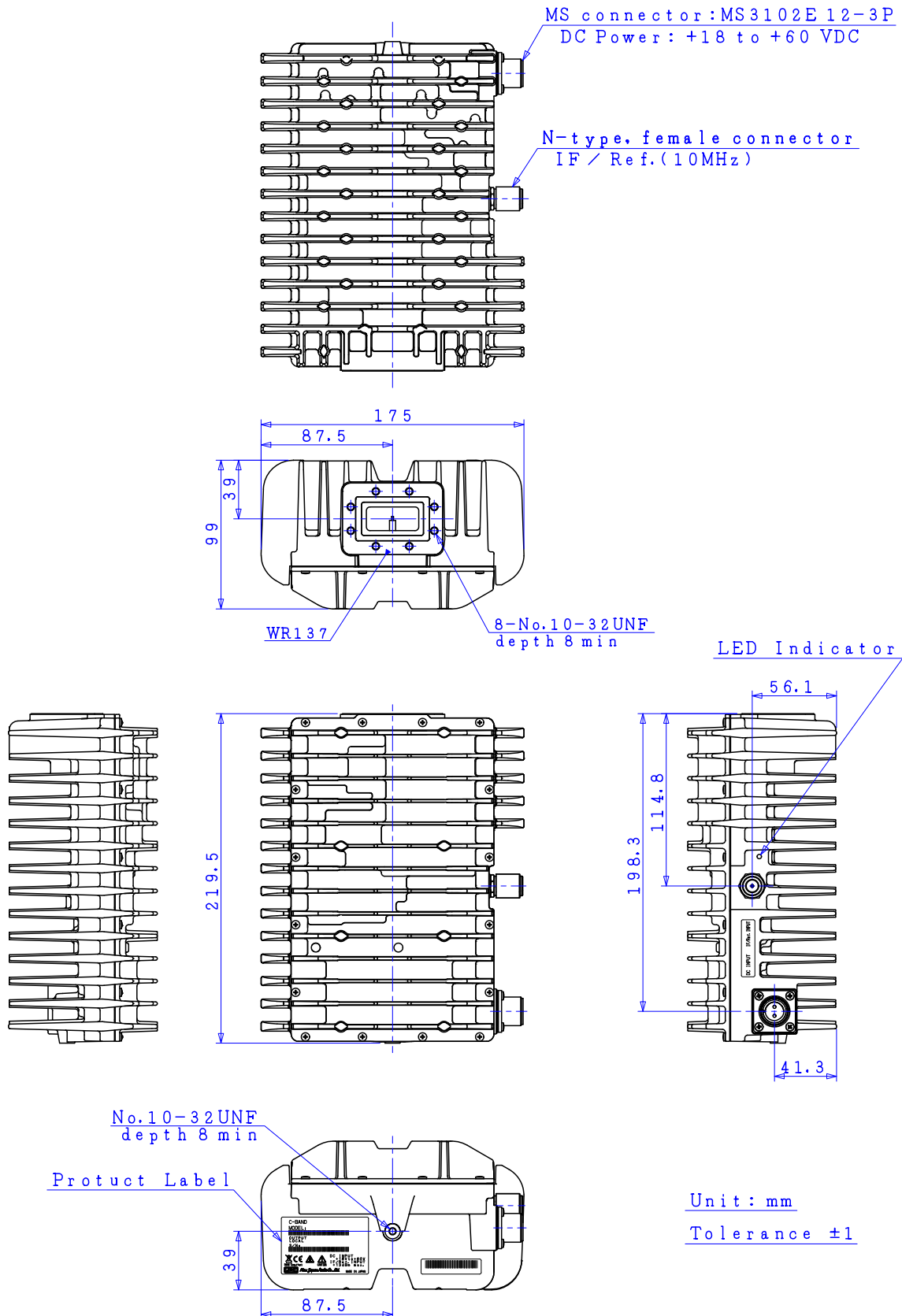
(3/8)  
Rev.03(Mar. 2017) Insat C 10W BUC\_NJT5764

■ Insat C-band **10W BUC**

MODEL No. **NJT5764** series

< **Outline Drawing** >

**N-type, female Connector Model / DC Input: MS Connector**



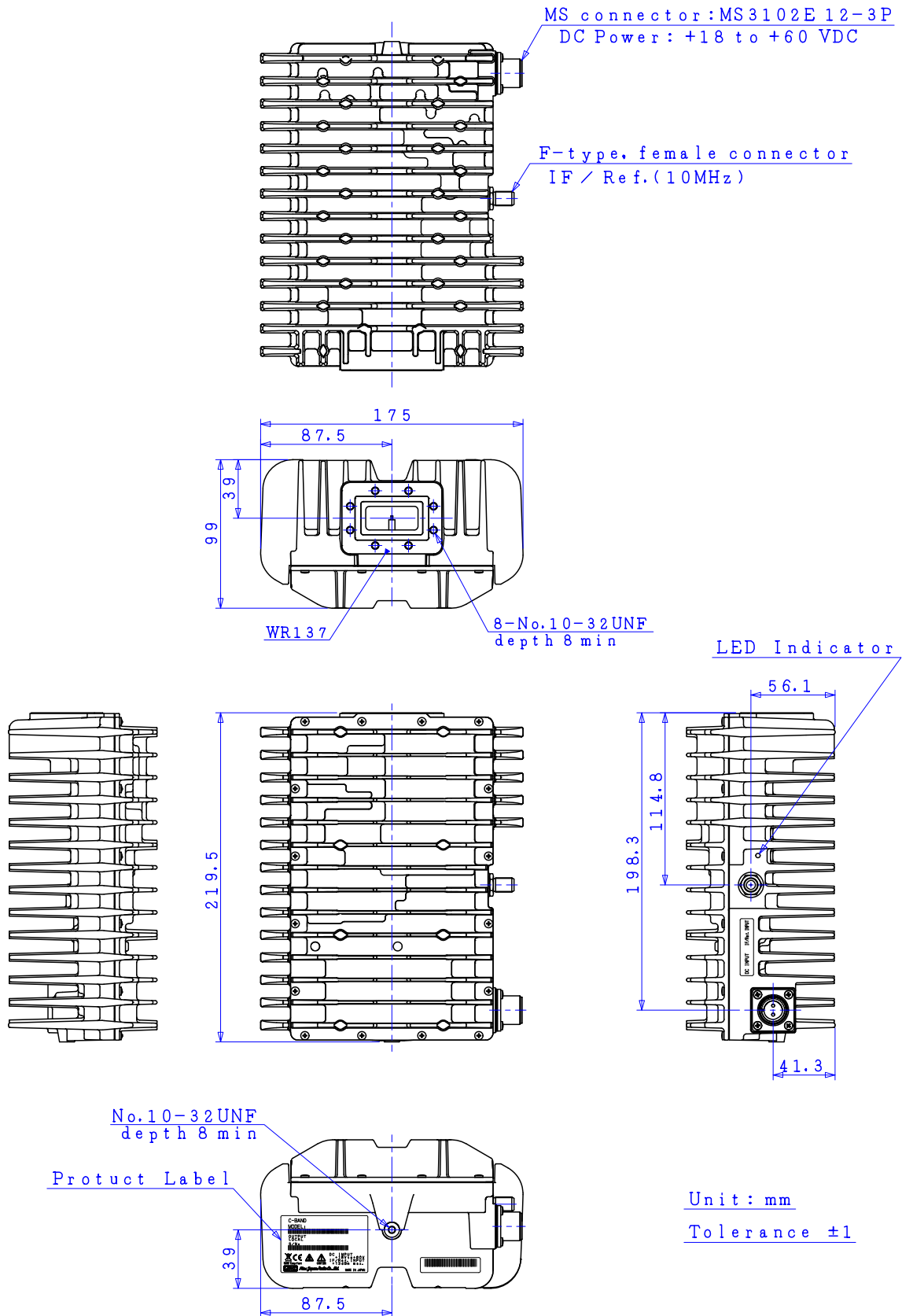
\*Note: The contents of this sheet are subject to change without notice.

Insat C-band **10W** BUC

MODEL No. **NJT5764** series

< **Outline Drawing** >

**F-type, female Connector Model / DC Input: MS Connector**



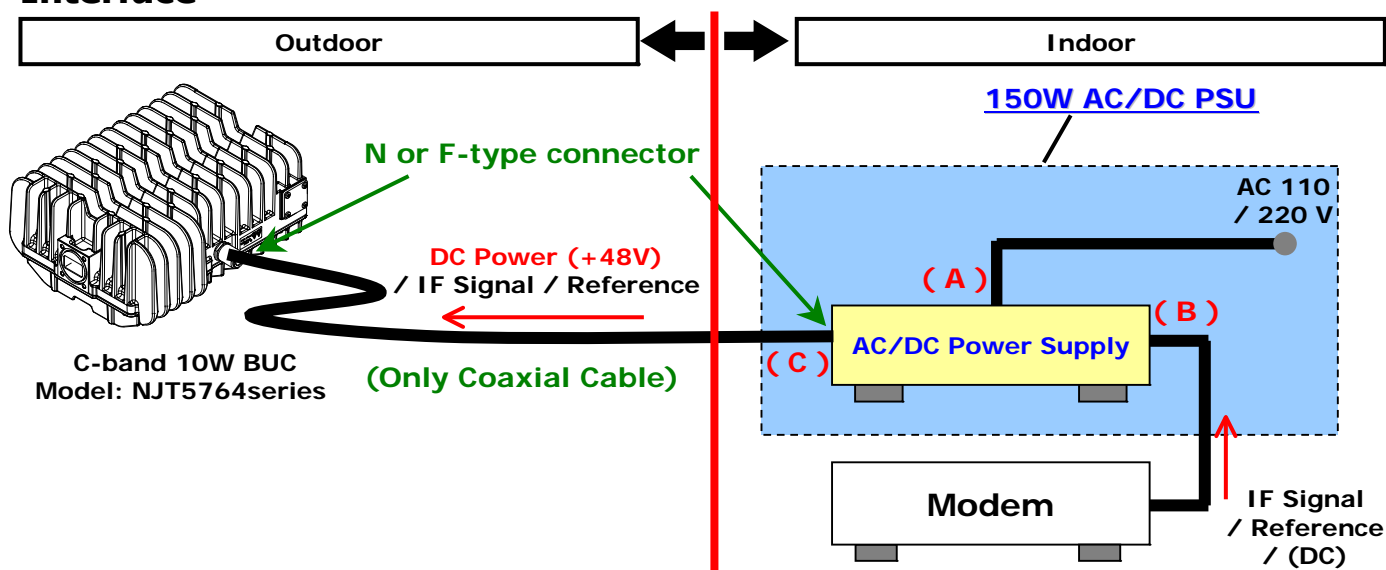
\*Note: The contents of this sheet are subject to change without notice.

# Insat C-band 10W BUC

## AC Power Option: Indoor 150W AC/DC Power Supply Unit (PSU)

### < Overview of AC Power Option >

#### - Interface -



#### - 150W AC/DC PSU -

\* The features of 150W AC/DC Power Supply Unit (PSU) is to provide the stable +48V DC power to operate C-band 10W BUCs, even if inner power supply of the modem is not capable enough to operate these BUCs.

\* The AC/DC box, which is having enough power supply of 150W as well as having the bias-tee which enable to pass 10MHz reference signal and L-band IF signal from the modem, is operated by AC Power and enable to operate these BUCs.

\* In addition, the aluminum housing with corrosion-proof treatment on the surface is employed with the box to use perfectly as the indoor unit.



### < Specifications >

Item	Specifications	
Interface	AC Input	IEC320-C14 inlet
	IF/Ref./(DC) Input	N-type, female (50 ohm) / F-type, female (75 ohm)
	IF/Ref./DC Output	N-type, female (50 ohm) / F-type, female (75 ohm)
Input AC Voltage Range	Rated Range	100 to 240 VAC
	Absolute Maximum Rating	90 to 264 VAC
Input AC Frequency Range	50 / 60 Hz	
Output Voltage / Power	+48 VDC +/- 10 % / 150 W max.	
Efficiency	80 % typical at 120 VAC, full load	
Power Factor	0.98 typical at 120 VAC, full load	
IF Frequency	950 to 1,700 MHz	
IF Insertion Loss	1 dB max.	
IF Input/Output VSWR	1.5 : 1 max.	
Standard	EN55022, EN55024, EN60950-1, EN61000-3-2/3, EN62311	
Temperature Range (ambient)	0 to +50 °C (operating), -30 to +85 °C (storage)	
Cooling	Forced Air by Fan	
Dimension & Housing ( without Interface Connectors / Switch)	290 mm (W) x 230 mm (D) x 44 mm (H) [11.41" (W) x 9.06" (D) x 1.73" (H)]	
Weight (without Cable)	1.6 kg [3.5 lbs]	
Accessories	Coaxial cable of 1 m, AC power cable of 1 m, 1U rack mount kit (Option)	

\*Note: The contents of this sheet are subject to change without notice.

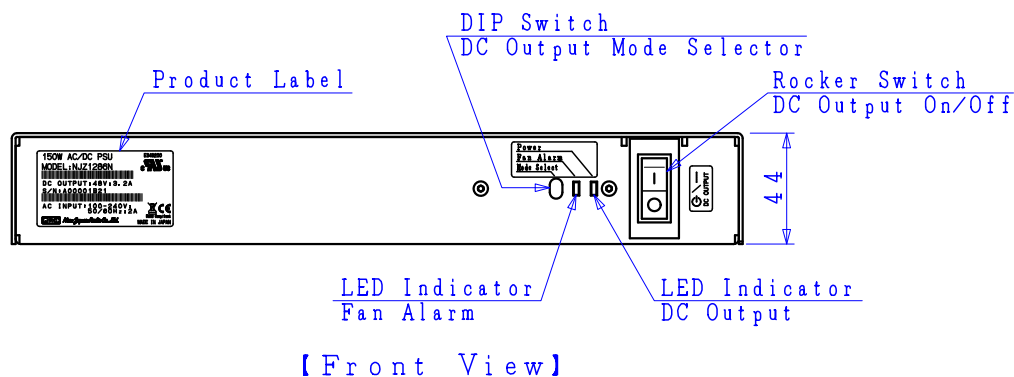
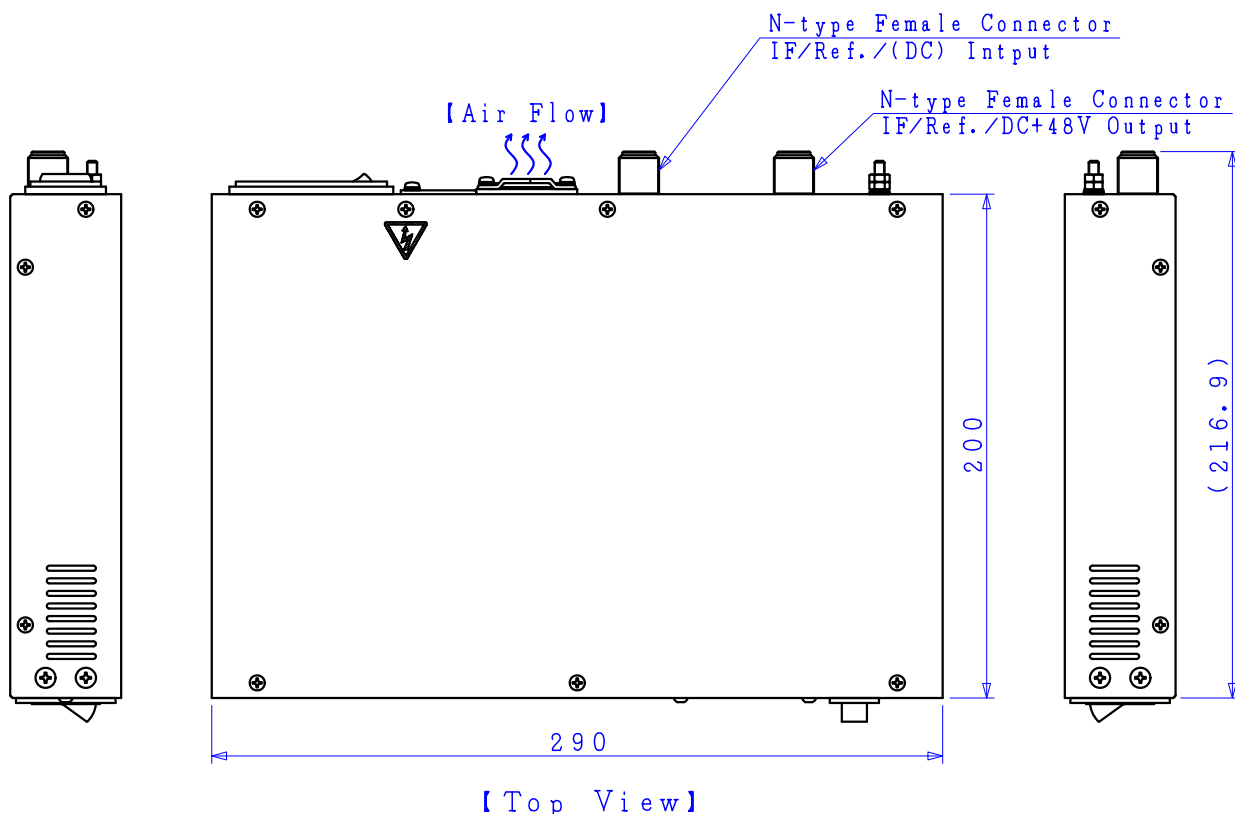
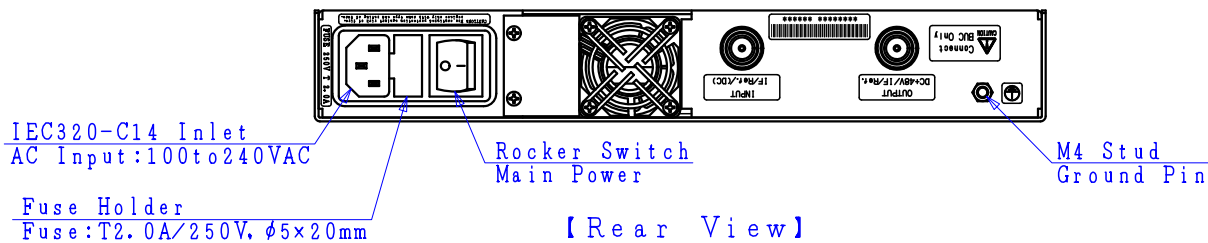
(6/8)  
Rev.03(Mar. 2017) Insat C 10W BUC\_NJT5764

■ Insat C-band **10W BUC**

AC Power Option: **Indoor 150W AC/DC Power Supply Unit (PSU)**

< **Outline Drawing** >

**N-type, female Connector Model (AC/DC PSU)**



UNIT : mm

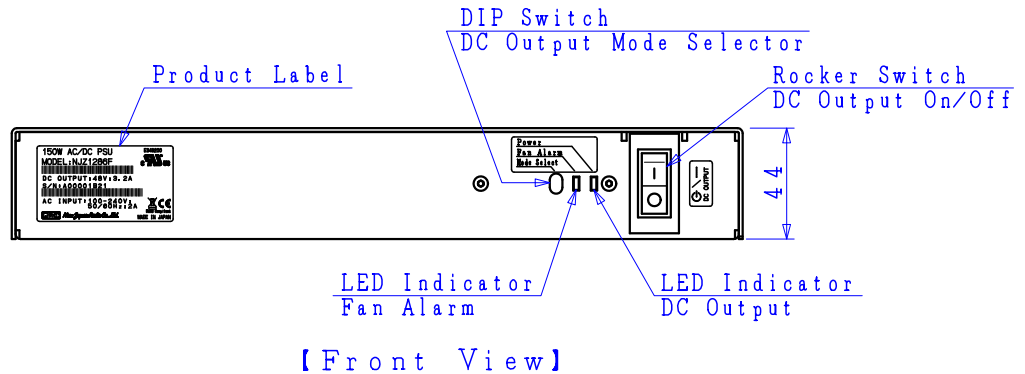
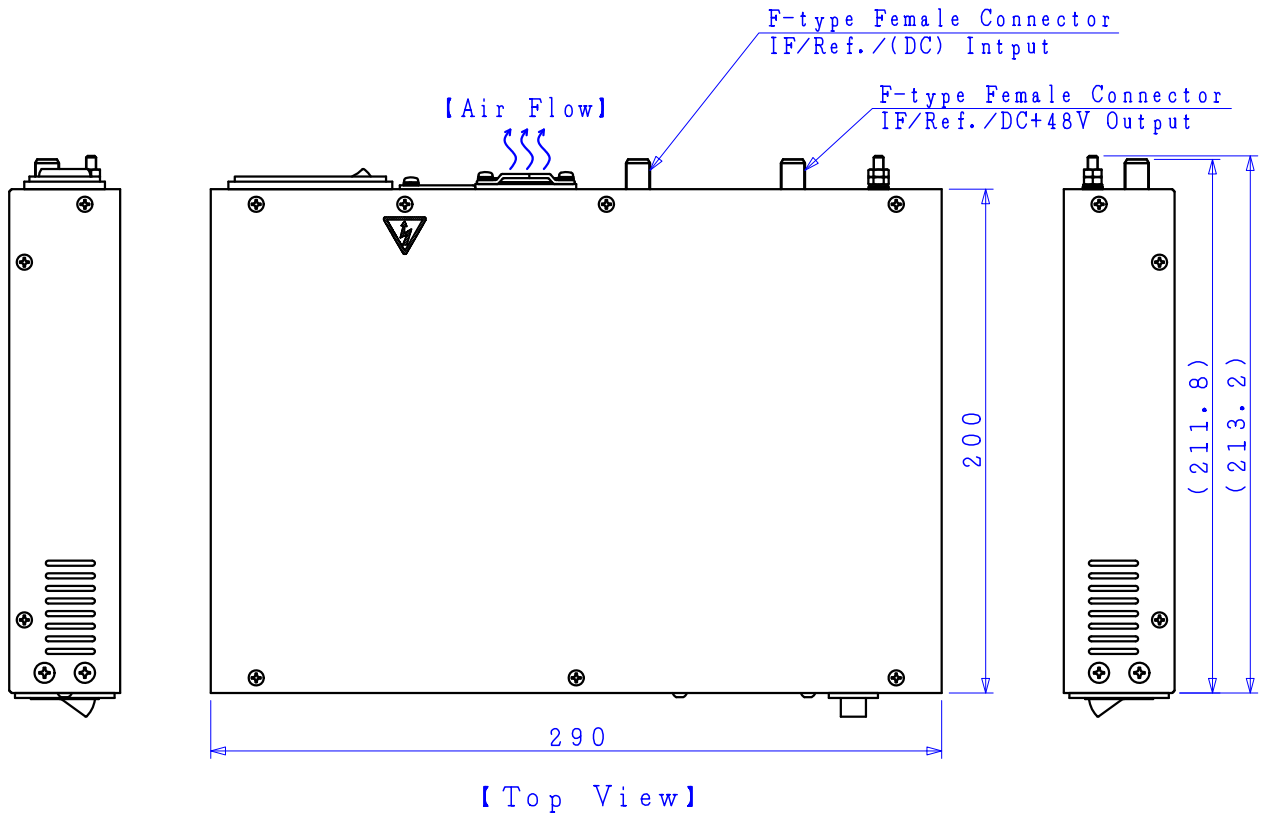
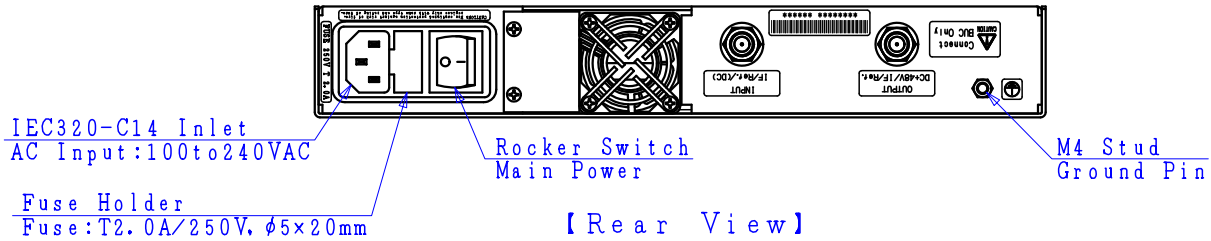
\*Note: The contents of this sheet are subject to change without notice.

# Insat C-band 10W BUC

## AC Power Option: Indoor 150W AC/DC Power Supply Unit (PSU)

### < Outline Drawing >

#### F-type, female Connector Model (AC/DC PSU)



UNIT : mm

\*Note: The contents of this sheet are subject to change without notice.