

■ C-band 5W BUC

MODEL No. NJT5669, NJT5670, NJT5675, & NJT5677 series

< Features >

- * **High Efficiency Output Power**
 - P1dB: +37.0 dBm min. over temperature
- * **Low Power Consumption**
 - Power Consumption: 48 W
- * **Small Size & Light Weight**
 - Weight: 1.9 kg
- * **LED Indicator**
- * **RoHS Compliance**



< Line-up >

Model No.	RF Frequency	Local Frequency	IF Frequency	Output Power @ P1dB	IF Connector	Power Supply	LED Indicator
NJT5669	5.85 to 6.425 GHz (Standard C-band)	4.90 GHz	950 to 1,525 MHz	5W Linear (+37 dBm min.)	N-type	+24 VDC (+15 to +30 VDC)	Equipped
NJT5669F					F-type		
NJT5675N	6.365 to 6.725 GHz (Palapa C-band)	5.30 GHz	1,065 to 1,425 MHz		N-type		
NJT5675F					F-type		
NJT5677N	5.85 to 6.725 GHz (Full C-band)	4.90 GHz	950 to 1,825 MHz		N-type		
NJT5677F					F-type		
NJT5670	6.725 to 7.025 GHz (Insat C-band)	5.76 GHz	965 to 1,265 MHz		N-type		
NJT5670F					F-type		

< Specifications >

Item	Specifications	
Output Interface	Waveguide, CPR137 (with Groove)	
Input Interface	N-type, female (50 ohm) [Model No.: NJT5669/70/75N/77N] F-type, female (75 ohm) [Model No.: NJT5669F/70F/75F/77F]	
Output Power @ 1 dB G.C.P.	+37 dBm min. over temperature	
Linear Gain	61 dB nom.	
Requirement for External Reference	[Frequency]	10 MHz (sine-wave)
	[Input Power]	-5 to +5 dBm @ Input port
	[Phase Noise]	-120 dBc/Hz max. @ 100 Hz
		-130 dBc/Hz max. @ 1 kHz
		-140 dBc/Hz max. @ 10 kHz
L.O. Phase Noise	-150 dBc/Hz max. @ 100 kHz	
	-60 dBc/Hz max. @ 100 Hz	
	-70 dBc/Hz max. @ 1 kHz	
	-80 dBc/Hz max. @ 10 kHz	
Receive Band Noise Density	-90 dBc/Hz max. @ 100 kHz	
Receive Band Noise Density	-87 dBm/4kHz max.	
Input V.S.W.R.	2.0 : 1 max.	
Output V.S.W.R.	2.0 : 1 max.	
Power Requirement	+24 VDC (+15 to +30 VDC)	
Power Consumption	48 W max.	
Mute	Shut off the HPA in case of L.O. unlocked or no 10 MHz reference signal.	
LED Indicator	GREEN: L.O. locked / RED: L.O. unlocked or no 10 MHz reference signal	
Temperature Range (ambient)	-40 to +55 °C (operating), -40 to +75 °C (storage)	
Waterproof/Dustproof (IP Code)	IP 67	
Dimension & Housing (without Interface Connectors)	190.6 mm (L) x 160 mm (W) x 59 mm (H)	
	[7.50" (L) x 6.30" (W) x 2.32" (H)]	
Weight	1.9 kg [4.2 lbs]	

*Note: The contents of this sheet are subject to change without notice.

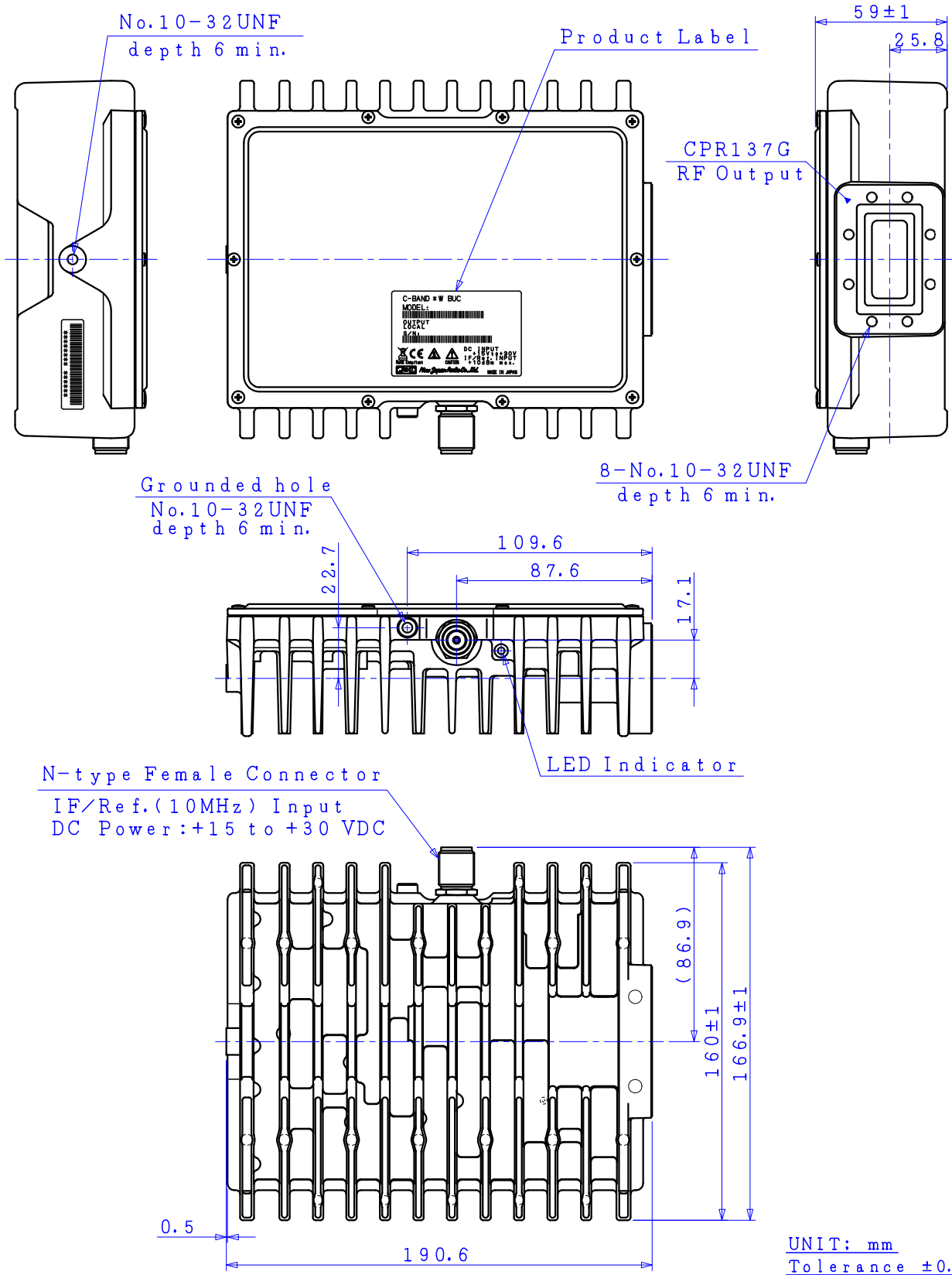
(1/3)
Rev.04(Mar. 2017) C 5W BUC_NJT5669/70/75/77

■ C-band 5W BUC

MODEL No. NJT5669, NJT5670, NJT5675, & NJT5677 series

< Outline Drawing >

N-type, female Connector Models



N-type Female Connector
 IF/Ref.(10MHz) Input
 DC Power: +15 to +30 VDC

UNIT: mm
 Tolerance ± 0.5

*Note: The contents of this sheet are subject to change without notice.

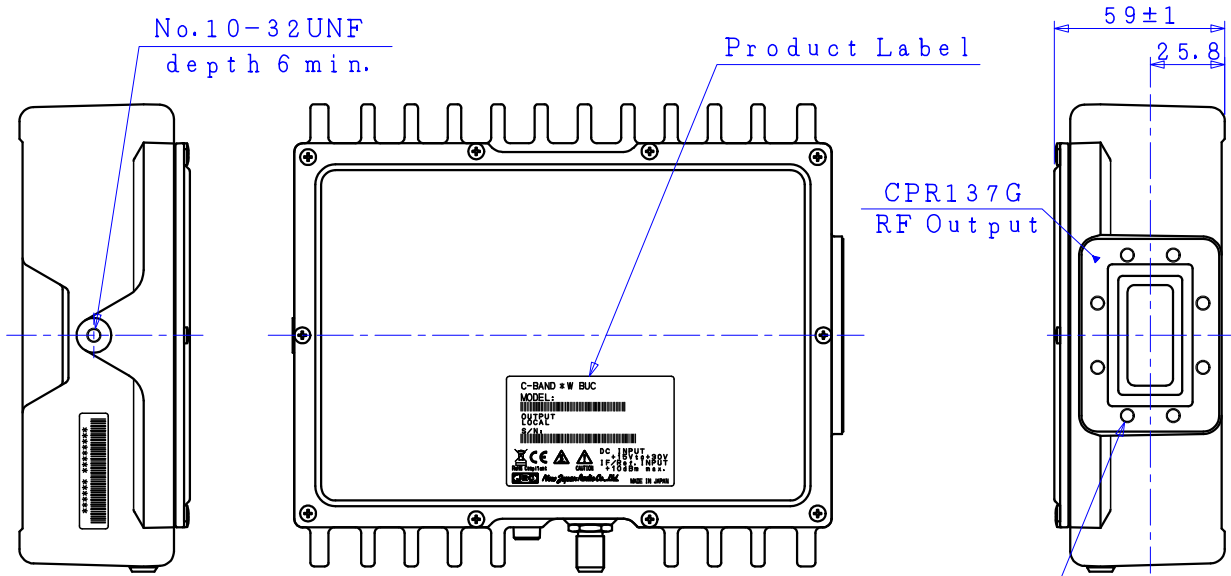
Rev.04(Mar. 2017) C 5W BUC_NJT5669/70/75/77

■ C-band 5W BUC

MODEL No. NJT5669, NJT5670, NJT5675, & NJT5677 series

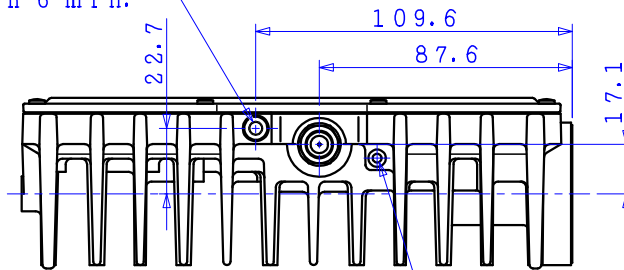
< Outline Drawing >

F-type, female Connector Models

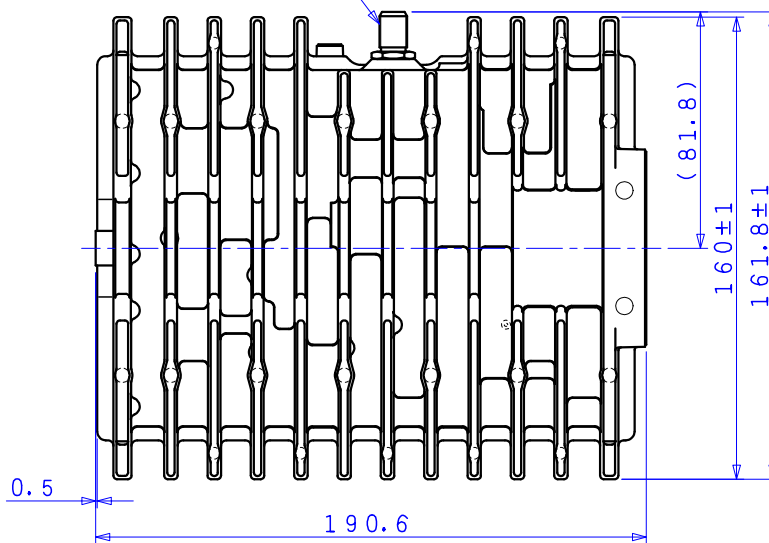


Ground Hole
 No.10-32UNF
 depth 6 min.

8-No.10-32UNF
 depth 6 min.



F-type Female Connector
 IF/Ref.(10MHz) Input
 DC Power: +15 to +30 VDC



UNIT: mm
 Tolerance ±0.5

*Note: The contents of this sheet are subject to change without notice.

Rev.04(Mar. 2017) C 5W BUC_NJT5669/70/75/77 (3/3)