

< **Features** >

- \* **Switchable Local**
  - Local Frequency: 9.75 / 10.6 GHz
- \* **Full Ku-band Coverage**
  - RF Frequency: 10.70 – 12.75 GHz  
(Low Band) 10.70 – 11.70 GHz  
(High Band) 11.70 – 12.75 GHz
- \* **Local Switching Line-up**  
Local Frequency Selected by
  - Mechanical Switch: NJR2841 series
  - 22kHz Tone On/Off: NJR2842 series
  - Input Voltage (High/Low): NJR2843 series
- \* **Small Size & Light Weight**
  - Weight: 240 g (N-type Connector Model)
  - Weight: 210 g (F-type Connector Model)
- \* **RoHS Compliance**

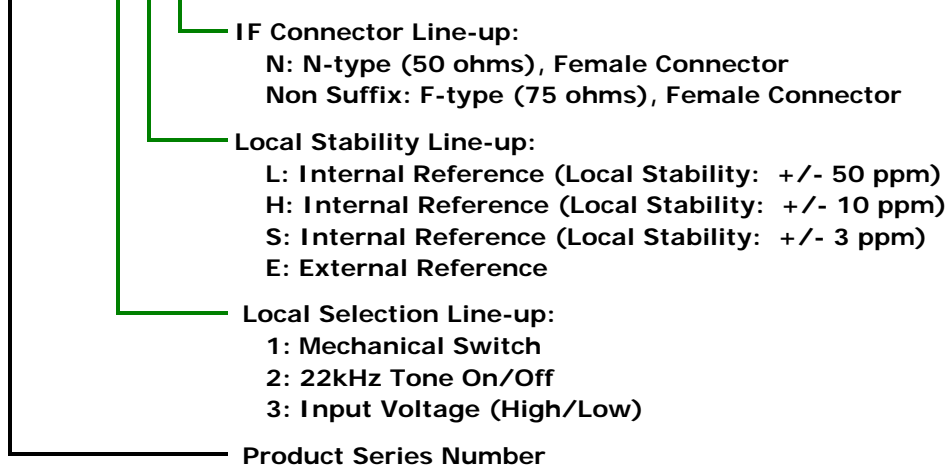


< **Line-Up** >

Model No.	RF Frequency	Local Frequency	IF Frequency	Local Stability [-40 to +60 °C]	Local Frequency Selected by	IF Connector
NJR2841S	10.70 to 11.70 GHz / 11.70 to 12.75 GHz	9.75 GHz / 10.6 GHz	950 to 1,950 MHz / 1,100 to 2,150 MHz	$\pm 3$ ppm	Mechanical Switch	F-type
NJR2841SN						N-type
NJR2842S					22kHz Tone On/Off	F-type
NJR2842SN						N-type
NJR2843S					Input Voltage (High/Low)	F-type
NJR2843SN						N-type

**Model Numbering**

**N J R 2 8 4 1 S N**



\*Note: The contents of this sheet are subject to change without notice.



# ■ Universal Ku-band 2LO PLL LNB (Switchable Local) - Int. Ref. ( $\pm 3$ ppm) -

## MODEL No. NJR2481S, NJR2482S, & NJR2483S series

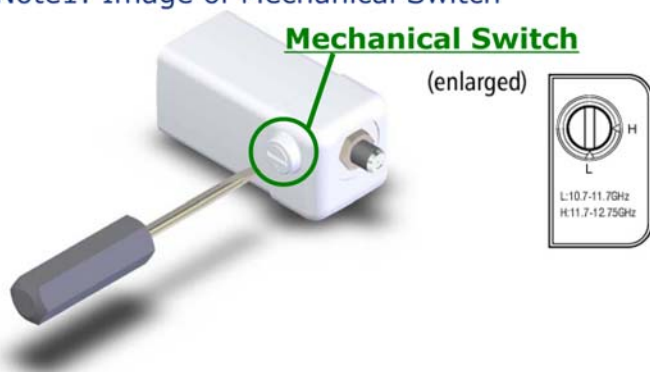
### < Specifications >

Item	Specifications
Input Interface	Waveguide, WR75 (with Groove)
Output Interface	N-type, female (50 ohm) [Model No.: NJR2841SN/42SN/43SN] F-type, female (75 ohm) [Model No.: NJR2841S/42S/43S]
Noise Figure at +25 °C	0.8 dB typ., 1.0 dB max.
Linear Gain (Ta.: +25 °C)	48 dB min., 62 dB max.
L.O. Phase Noise	-50 dBc/Hz typ. @ 100 Hz, -70 dBc/Hz typ. @ 1 kHz -75 dBc/Hz typ. @ 10 kHz, -85 dBc/Hz typ. @ 100 kHz Depends on phase noise of external reference
L.O. Leakage Level	-40 dBm max. at the IF Output Connector -60 dBm max. at the RF Input Flange
Spurious	a) -120 dBm max. at input, fixed frequency spur, unrelated to test CW signal (Measured at specified IF band). b) -40 dBc typ. with test CW signal -10 dBm IF output (Measured at specified IF band).
Input V.S.W.R.	2.5 : 1 typ.
Output V.S.W.R.	2.3 : 1 max.
Power Requirement	+24 VDC (+10 to +24 VDC)
Current Drain	200 mA max.
Temperature Range (ambient)	-40 to +60 °C (operating), -40 to +80 °C (storage)
Waterproof/Dustproof (IP Code)	IP 67
Dimension & Housing ( without Interface Connectors )	83.4 mm (L) x 42 mm (W) x 42 mm (H) [Model No.: NJR2841S/41SN] [3.28" (L) x 1.65" (W) x 1.65" (H)] 82.2 mm (L) x 40 mm (W) x 40 mm (H) [Model No.: NJR2842S/42SN/43S/43SN] [3.24" (L) x 1.57" (W) x 1.57" (H)]
Weight	240 g [0.53 lbs] [Model No.: NJR2841SN/42SN/43SN] 210 g [0.46 lbs] [Model No.: NJR2841S/42S/43S]

### Specifications of Local Switch

	RF Frequency	
	Low Band (10.7 to 11.7 GHz)	High Band (11.7 to 12.75 GHz)
Mechanical Switch	Initial Set 	
22kHz Tone On/Off	Tone Level: 0 to 0.2 Vp-p	Tone Level: 0.4 to 0.8 Vp-p
Input Voltage High/Low	Voltage: +10 to +14 VDC	Voltage: +15.5 to +24 VDC

Note1: Image of Mechanical Switch



Note2: Specification of 22 kHz Tone

Input Port: IF Output Connector  
(Combine DC Supply with IF Signal)

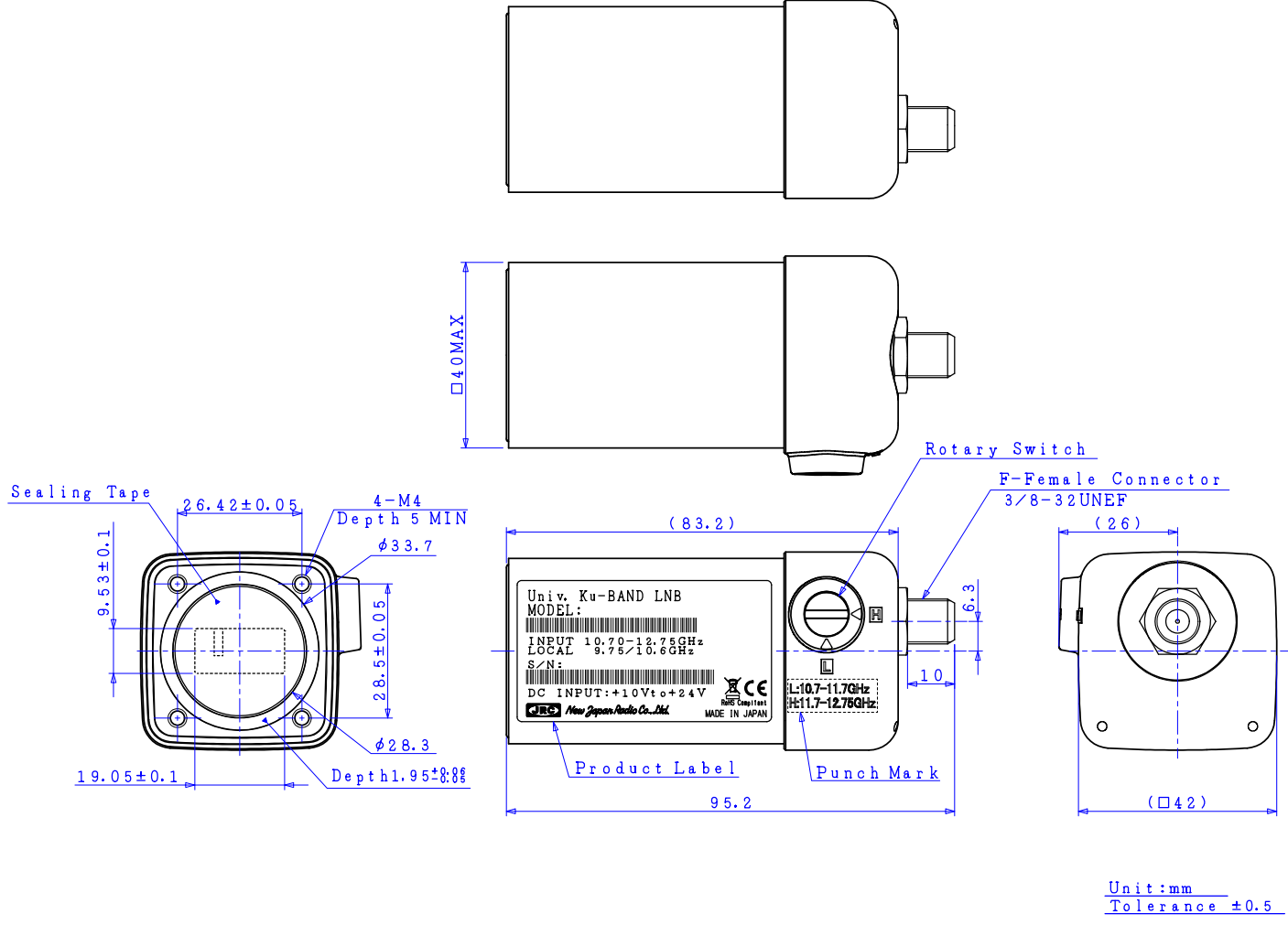
Wave Form: Square-wave

Frequency: 22 +/- 4 kHz

Duty Cycle: 30 to 70 %

■ Universal Ku-band 2LO PLL LNB (Switchable Local) - Int. Ref. ( $\pm 3$  ppm) -  
**MODEL No. NJR2481S, NJR2482S, & NJR2483S series**

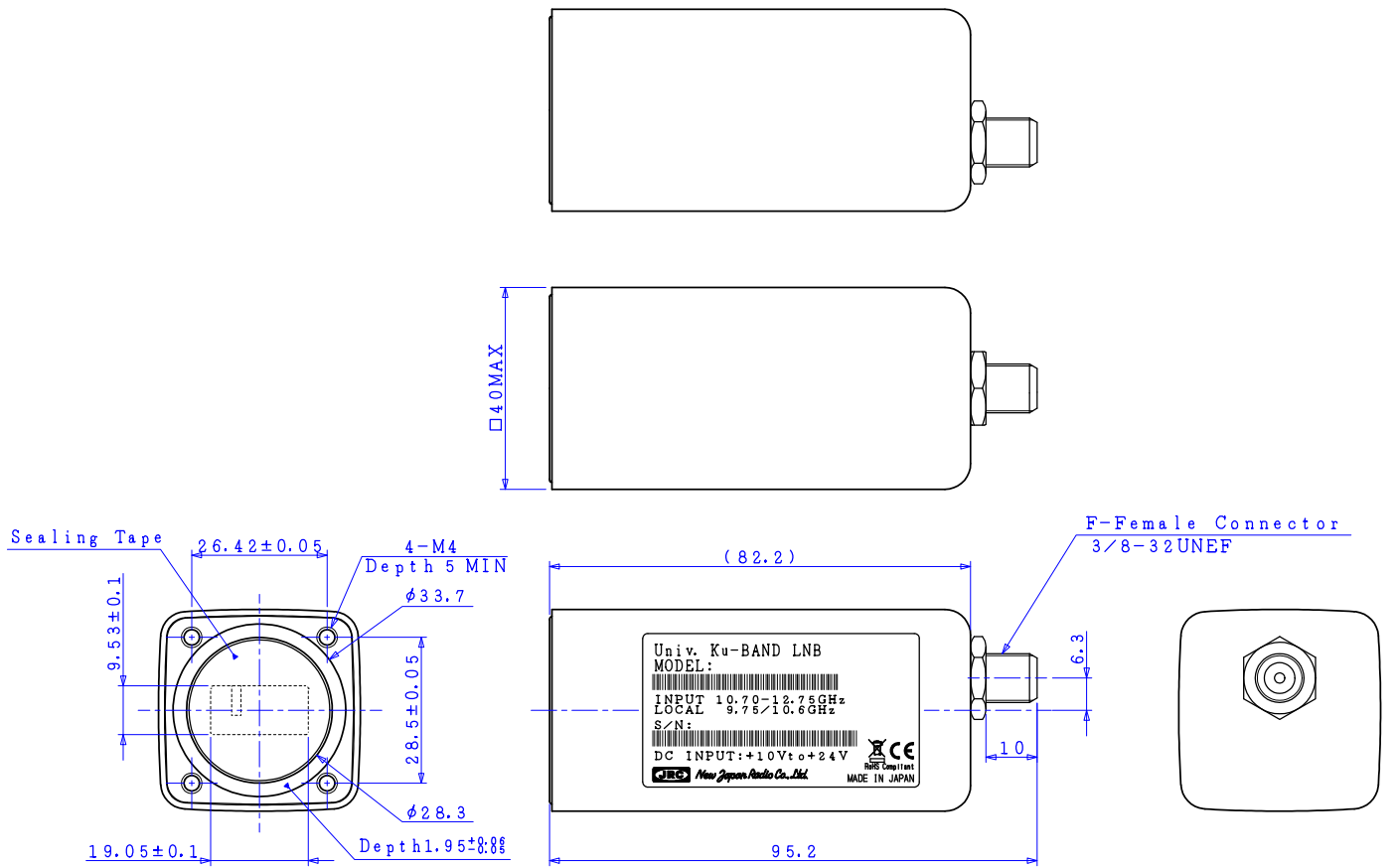
< Outline Drawing >  
**NJR2841S**



\*Note: The contents of this sheet are subject to change without notice.

■ Universal Ku-band 2LO PLL LNB (Switchable Local) - Int. Ref. ( $\pm 3$  ppm) -  
**MODEL No. NJR2481S, NJR2482S, & NJR2483S series**

**< Outline Drawing >**  
**NJR2482S & NJR2483S**

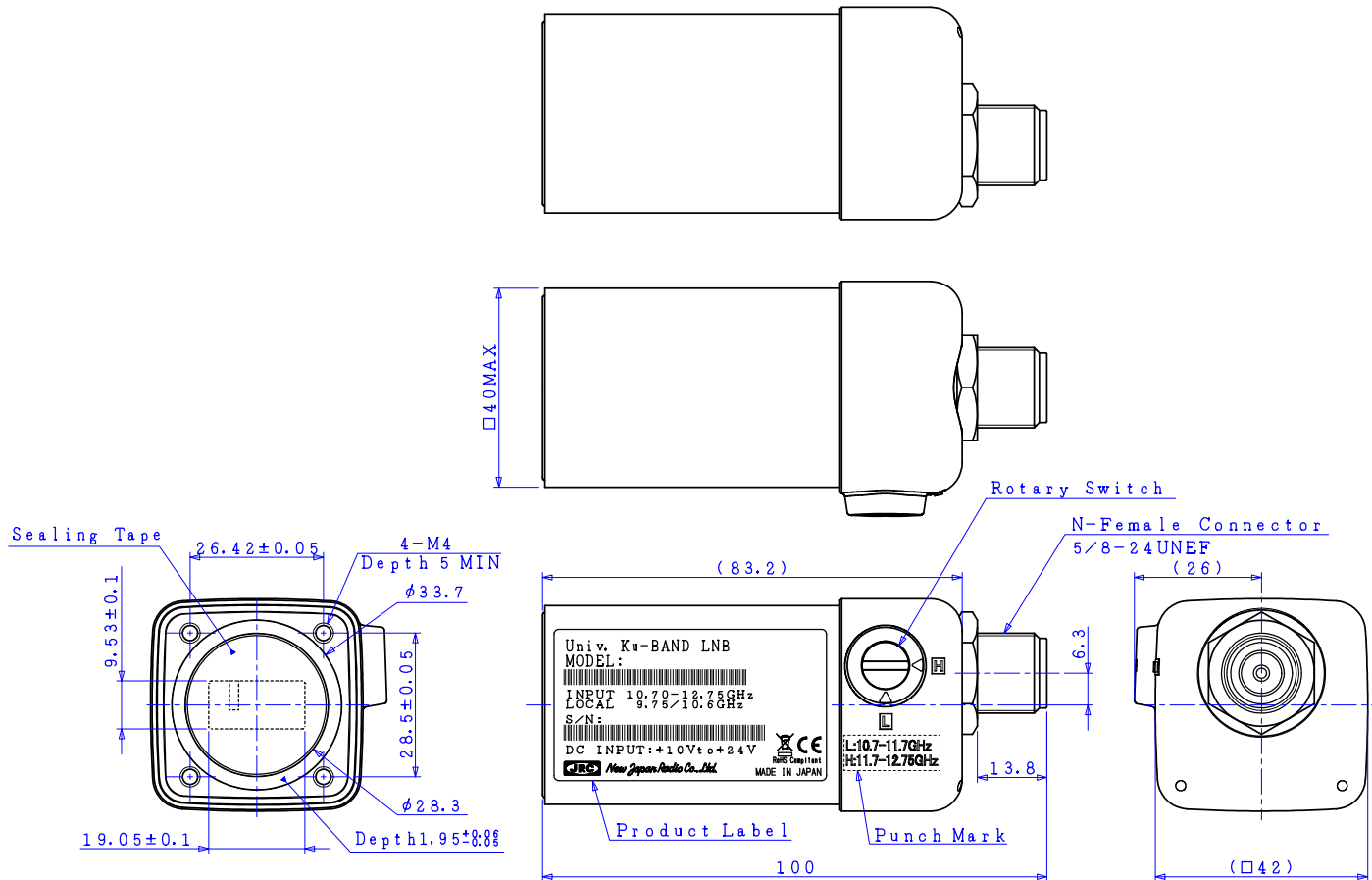


Unit: mm  
 Tolerance  $\pm 0.5$

\*Note: The contents of this sheet are subject to change without notice.

< **Outline Drawing** >

**NJR2481SN**



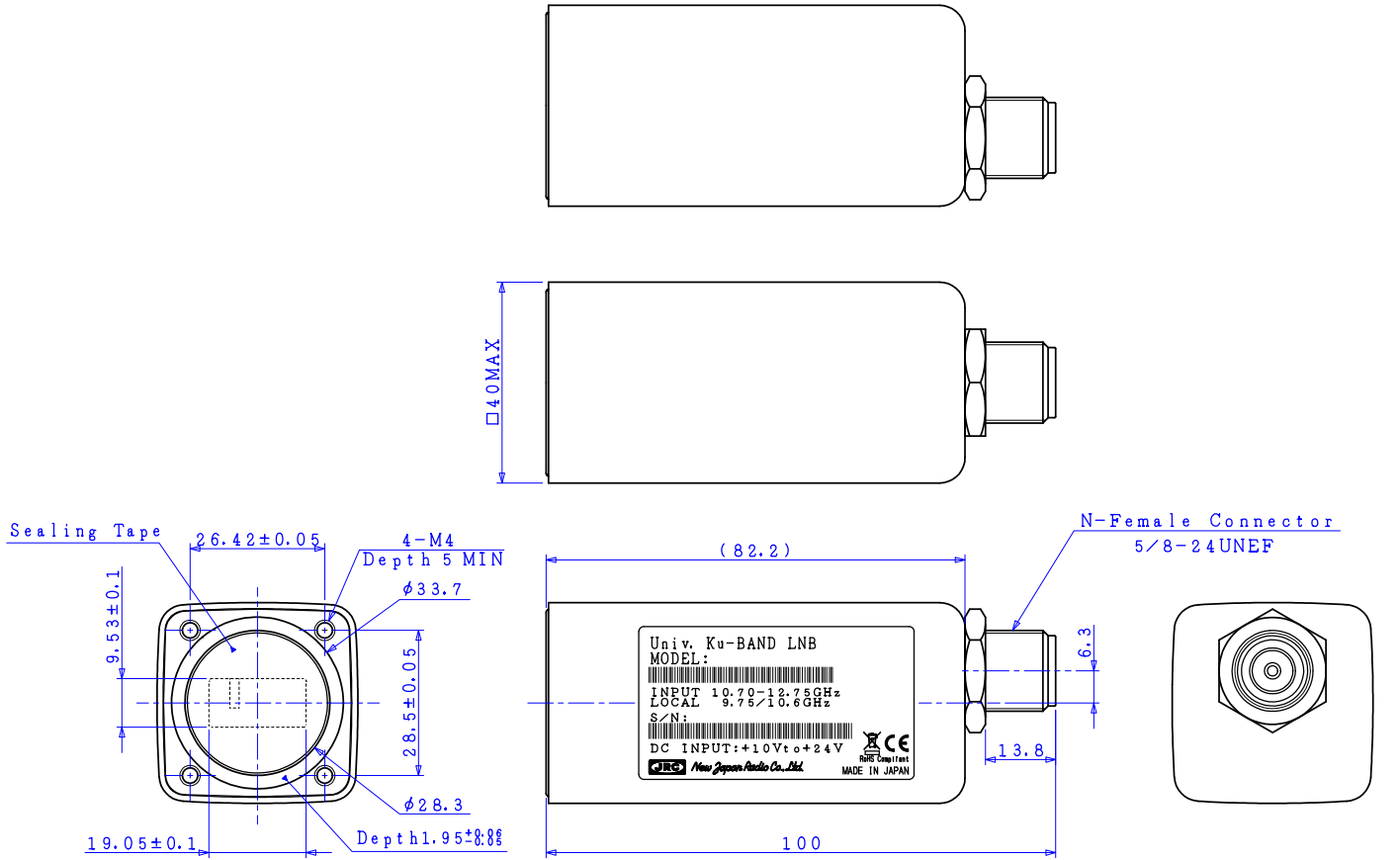
Unit: mm  
Tolerance  $\pm 0.5$

\*Note: The contents of this sheet are subject to change without notice.

Rev.03(Mar. 2017) Ku 2LO PLL LNB (Int. 3ppm)\_NJR2481S/42S/43S

< **Outline Drawing** >

**NJR2842SN & NJR2843SN**



Unit:mm  
Tolerance  $\pm 0.5$

\*Note: The contents of this sheet are subject to change without notice.