

MODEL No. **NJR2481H, NJR2482H, & NJR2483H** series

< **Features** >

- * **Switchable Local**
 - Local Frequency: 9.75 / 10.6 GHz
- * **Full Ku-band Coverage**
 - RF Frequency: 10.70 – 12.75 GHz
(Low Band) 10.70 – 11.70 GHz
(High Band) 11.70 – 12.75 GHz
- * **Local Switching Line-up**
Local Frequency Selected by
 - Mechanical Switch: NJR2841 series
 - 22kHz Tone On/Off: NJR2842 series
 - Input Voltage (High/Low): NJR2843 series
- * **Small Size & Light Weight**
 - Weight: 240 g (N-type Connector Model)
 - Weight: 210 g (F-type Connector Model)
- * **RoHS Compliance**

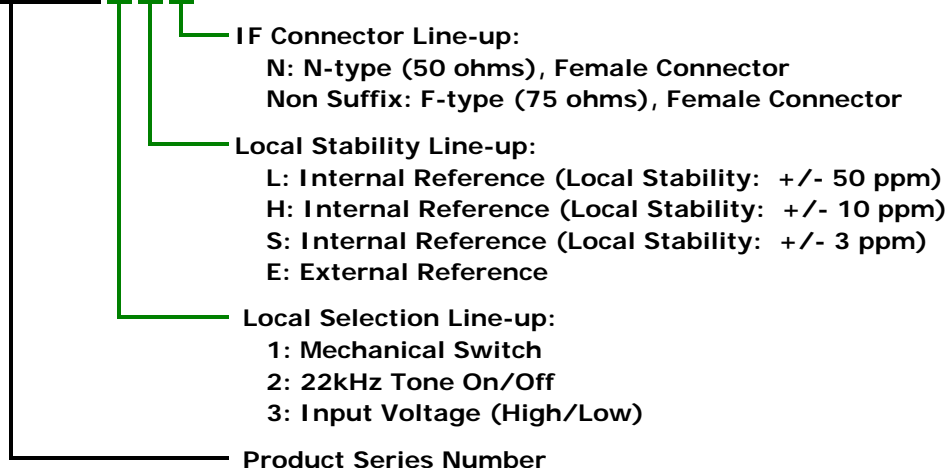


< **Line-Up** >

| Model No. | RF Frequency | Local Frequency | IF Frequency | Local Stability [-40 to +60 °C] | Local Frequency Selected by | IF Connector |
|-----------|--|------------------------|--|---------------------------------|-----------------------------|--------------|
| NJR2841H | 10.70 to 11.70 GHz / 11.70 to 12.75 GHz | 9.75 GHz / 10.6 GHz | 950 to 1,950 MHz / 1,100 to 2,150 MHz | +/- 10 ppm | Mechanical Switch | F-type |
| NJR2841HN | | | | | | N-type |
| NJR2842H | | | | | 22kHz Tone On/Off | F-type |
| NJR2842HN | | | | | | N-type |
| NJR2843H | | | | | Input Voltage (High/Low) | F-type |
| NJR2843HN | | | | | | N-type |

Model Numbering



N J R 2 8 4 1 H N



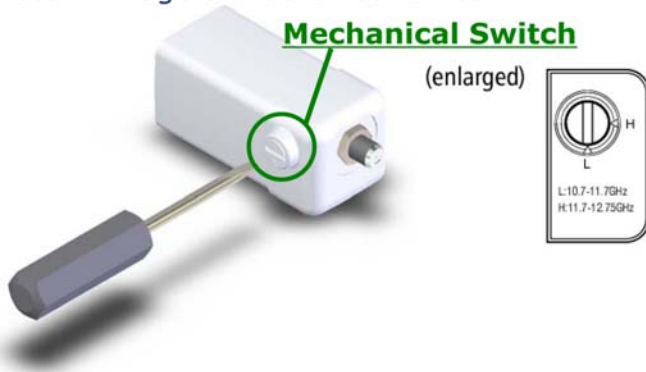
< **Specifications** >

| Item | Specifications |
|---|---|
| Input Interface | Waveguide, WR75 (with Groove) |
| Output Interface | N-type, female (50 ohm) [Model No.: NJR2841HN/42HN/43HN] F-type, female (75 ohm) [Model No.: NJR2841H/42H/43H] |
| Noise Figure at +25 °C | 0.8 dB typ., 1.0 dB max. |
| Linear Gain (Ta.: +25 °C) | 48 dB min., 62 dB max. |
| L.O. Phase Noise | -50 dBc/Hz typ. @ 100 Hz, -70 dBc/Hz typ. @ 1 kHz -75 dBc/Hz typ. @ 10 kHz, -85 dBc/Hz typ. @ 100 kHz Depends on phase noise of external reference |
| L.O. Leakage Level | -40 dBm max. at the IF Output Connector -60 dBm max. at the RF Input Flange |
| Spurious | a) -120 dBm max. at input, fixed frequency spur, unrelated to test CW signal (Measured at specified IF band). b) -40 dBc typ. with test CW signal -10 dBm IF output (Measured at specified IF band). |
| Input V.S.W.R. | 2.5 : 1 typ. |
| Output V.S.W.R. | 2.3 : 1 max. |
| Power Requirement | +24 VDC (+10 to +24 VDC) |
| Current Drain | 200 mA max. |
| Temperature Range (ambient) | -40 to +60 °C (operating), -40 to +80 °C (storage) |
| Waterproof/Dustproof (IP Code) | IP 67 |
| Dimension & Housing (without Interface Connectors) | 83.4 mm (L) x 42 mm (W) x 42 mm (H) [Model No.: NJR2841H/41HN] [3.28" (L) x 1.65" (W) x 1.65" (H)] 82.2 mm (L) x 40 mm (W) x 40 mm (H) [Model No.: NJR2842H/42HN/43H/43HN] [3.24" (L) x 1.57" (W) x 1.57" (H)] |
| Weight | 240 g [0.53 lbs] [Model No.: NJR2841HN/42HN/43HN] 210 g [0.46 lbs] [Model No.: NJR2841H/42H/43H] |

Specifications of Local Switch

| | RF Frequency | |
|------------------------|---|---|
| | Low Band (10.7 to 11.7 GHz) | High Band (11.7 to 12.75 GHz) |
| Mechanical Switch | Initial Set  |  |
| 22kHz Tone On/Off | Tone Level: 0 to 0.2 Vp-p | Tone Level: 0.4 to 0.8 Vp-p |
| Input Voltage High/Low | Voltage: +10 to +14 VDC | Voltage: +15.5 to +24 VDC |

Note1: Image of Mechanical Switch

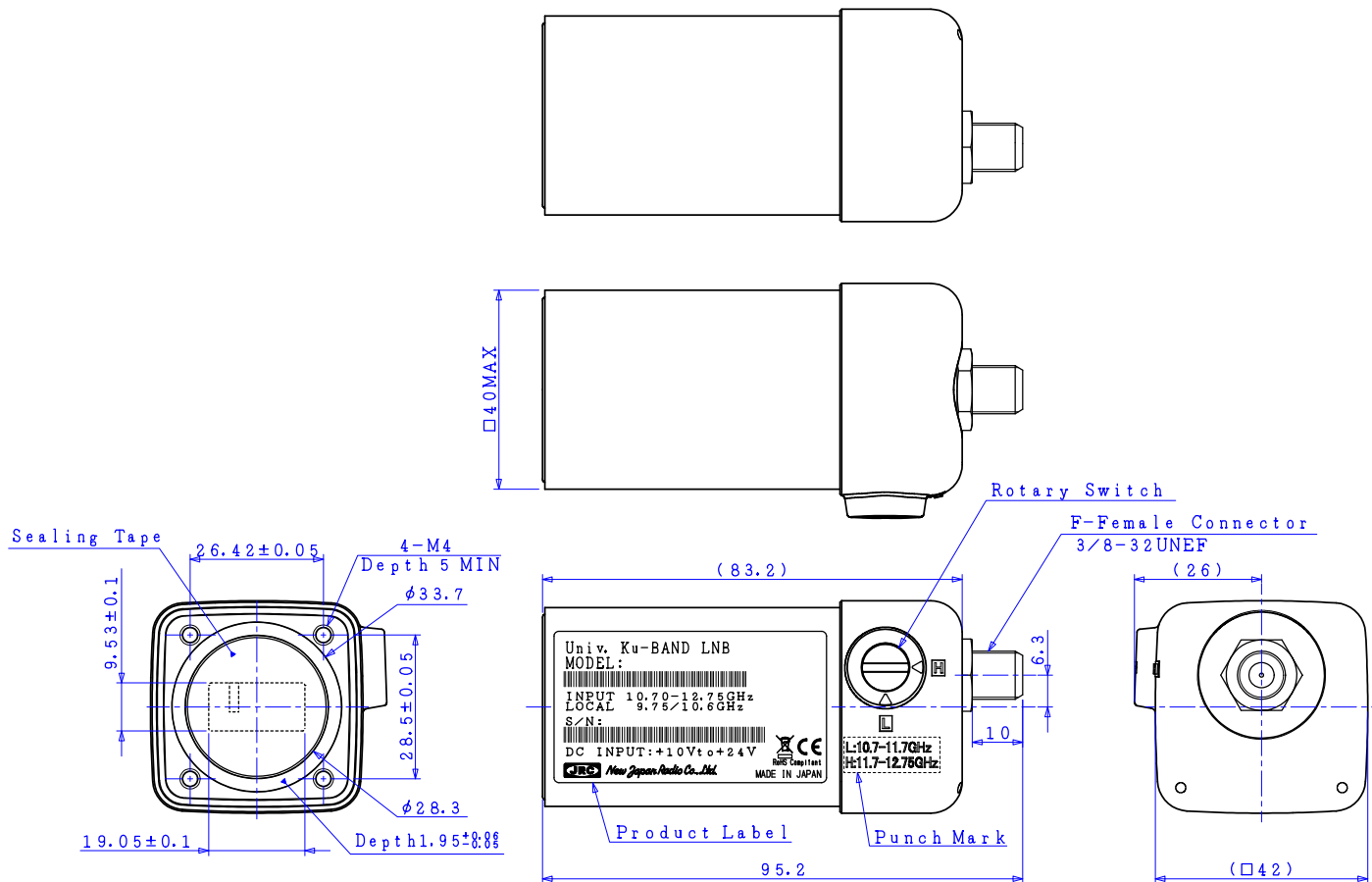


Note2: Specification of 22 kHz Tone

Input Port: IF Output Connector
(Combine DC Supply with IF Signal)
Wave Form: Square-wave
Frequency: 22 +/- 4 kHz
Duty Cycle: 30 to 70 %

< **Outline Drawing** >

NJR2481H



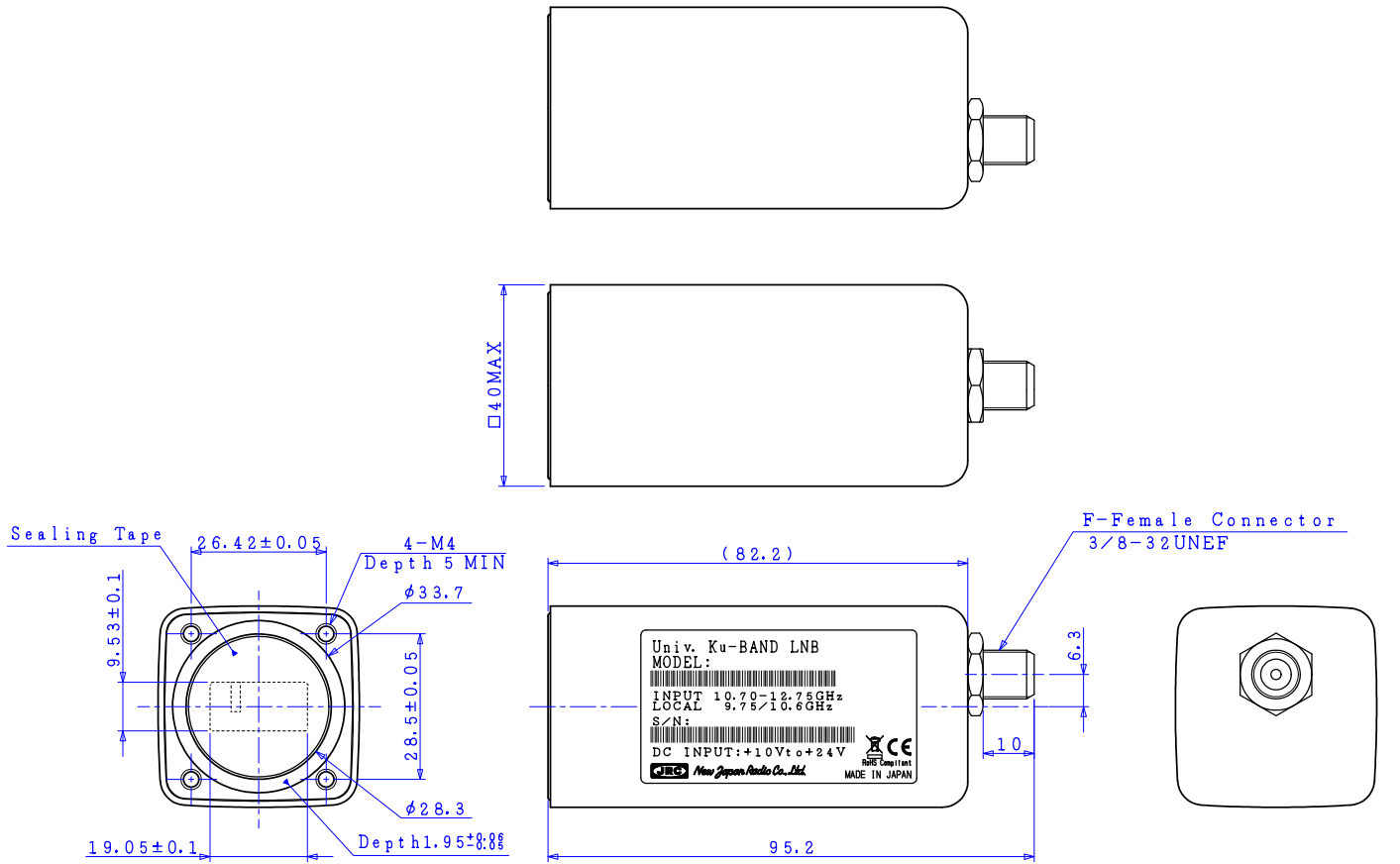
Unit:mm
Tolerance ± 0.5

*Note: The contents of this sheet are subject to change without notice.

Rev.04(Mar. 2017) Ku 2LO PLL LNB (Int. Ref. 10ppm)_NJR2481H/42H/43H

< **Outline Drawing** >

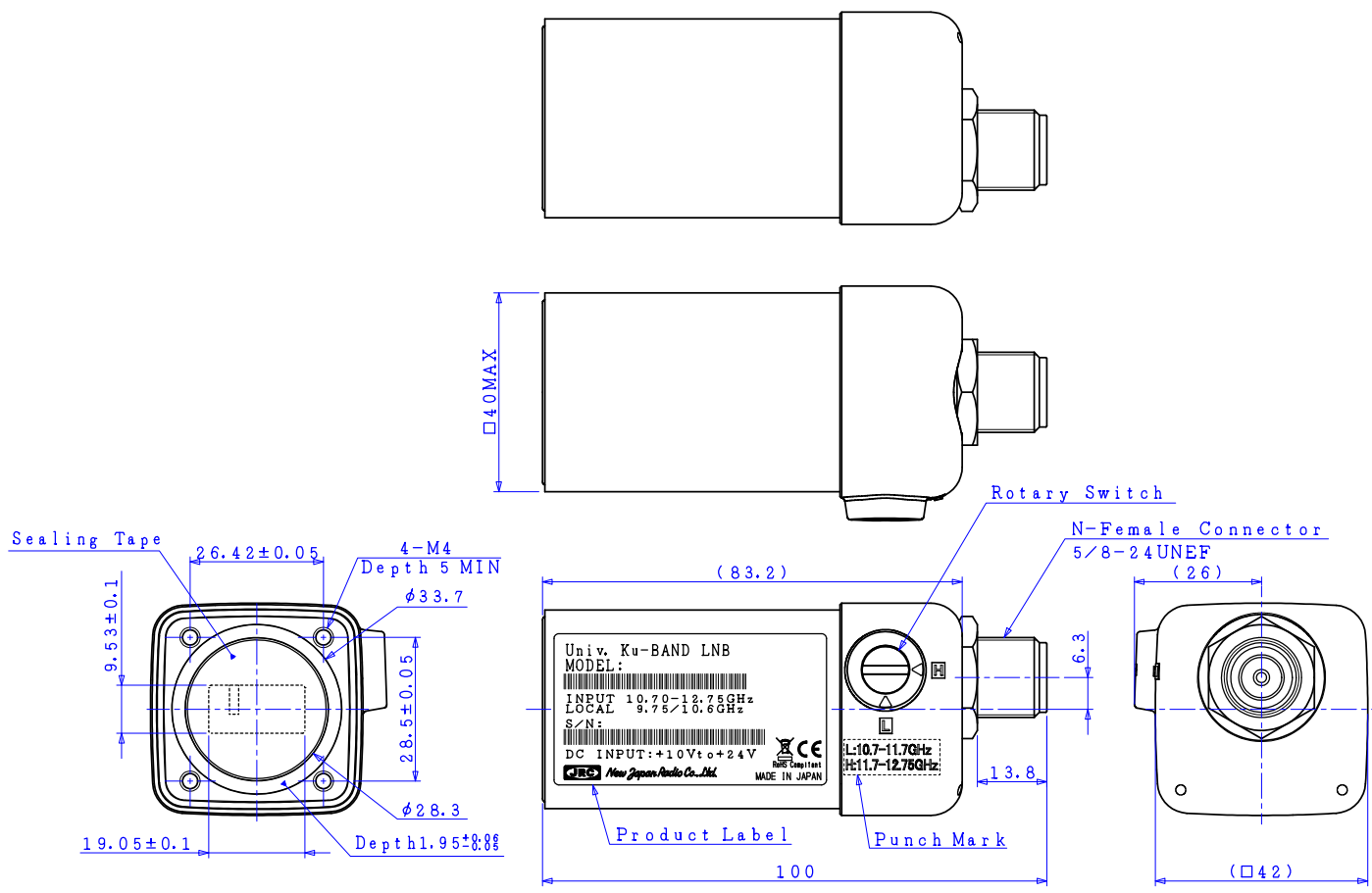
NJR2482H & NJR2483H



Unit: mm
Tolerance ±0.5

< **Outline Drawing** >

NJR2481HN



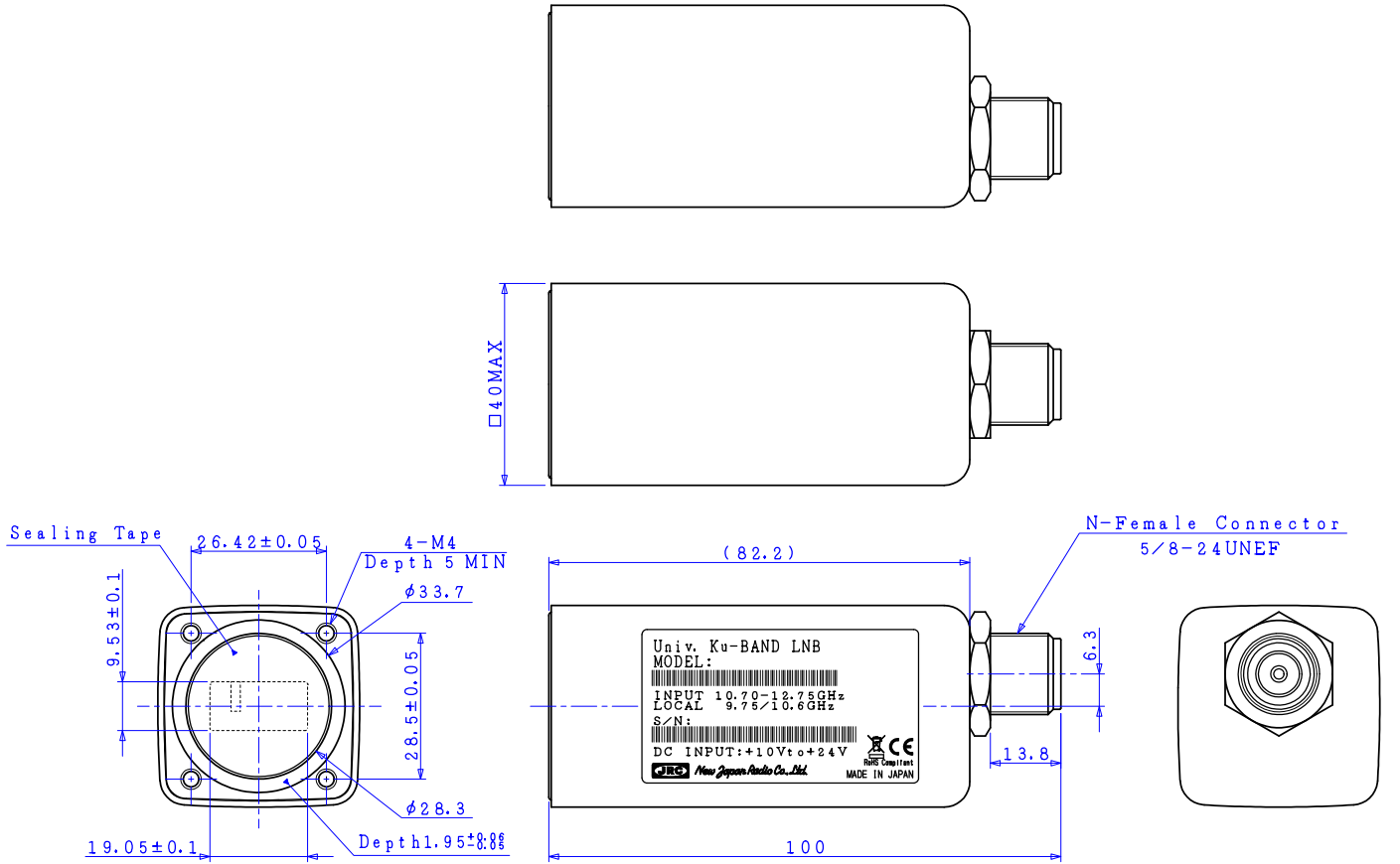
Unit: mm
Tolerance ± 0.5

*Note: The contents of this sheet are subject to change without notice.

Rev.04(Mar. 2017) Ku 2LO PLL LNB (Int. Ref. 10ppm)_NJR2481H/42H/43H

< **Outline Drawing** >

NJR2482HN & NJR2483HN



Unit:mm
Tolerance ± 0.5

*Note: The contents of this sheet are subject to change without notice.