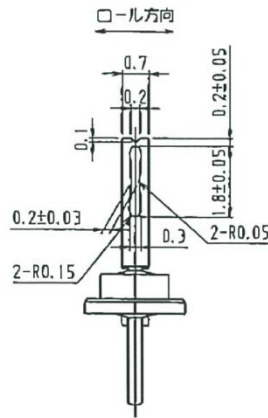
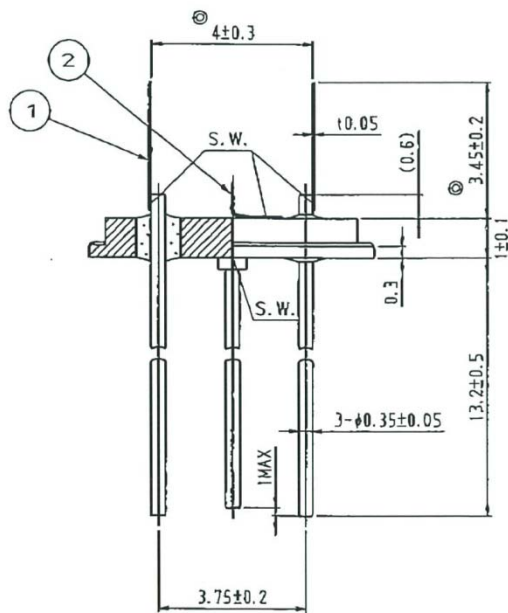
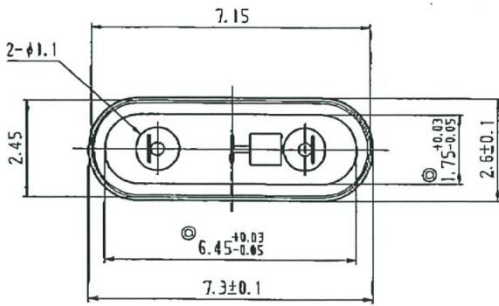


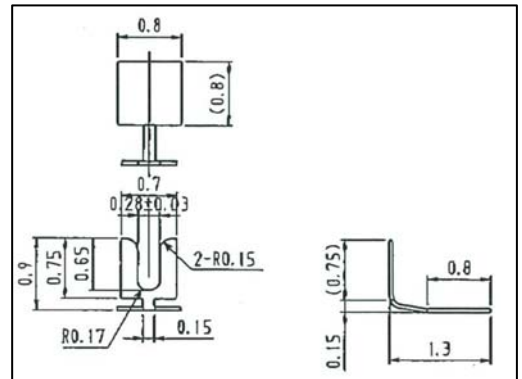
**CRYSTAL HOLDER FOR UM-5**

TYPE NO.		AHC-UM5-2P3L-4.5(AY)
MODEL		UM-5, 2P3L
BLANK SIZE		Φ 4.5
MATERIAL	HEADER	42 Alloy
	GLASS	HARD GLASS
	LEAD	KOVAR
	PLATE SUPPORT	C7701
LEAD LENGTH		13.20mm
LEAD FINISH		NiC (1~3u)+ Au (0.05u~0.5u)

*RoHS COMPLIANT VERSION*



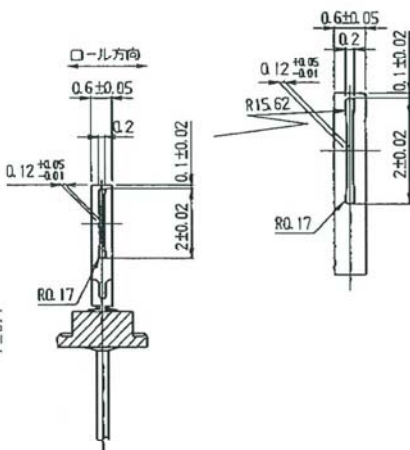
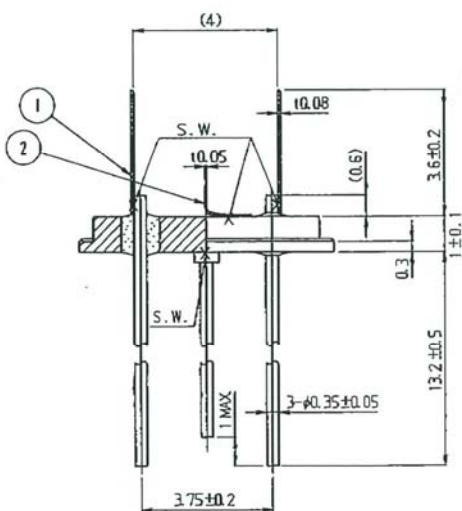
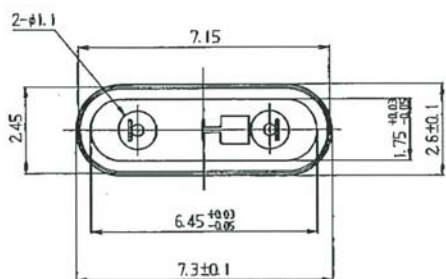
Support Plate



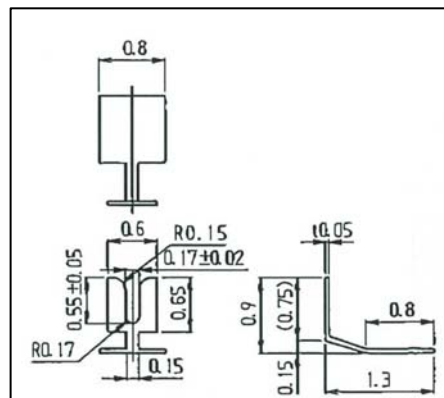
**CRYSTAL HOLDER FOR UM-5**

TYPE NO.		AHC-UM5-2P3L-4.5(KV)
MODEL		UM-5, 2P3L
BLANK SIZE		Φ 4.5
MATERIAL	HEADER	KOVAR
	GLASS	HARD GLASS
	LEAD	KOVAR
	PLATE SUPPORT	NSS-1/2H
LEAD LENGTH		13.20mm
LEAD FINISH		NiC (1~3u)+ Au (0.05u~0.5u)

*RoHS COMPLIANT VERSION*



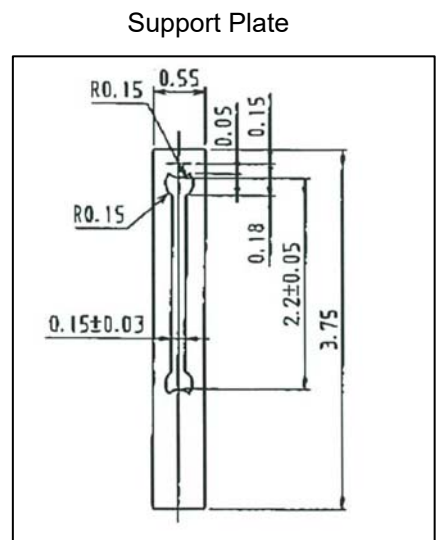
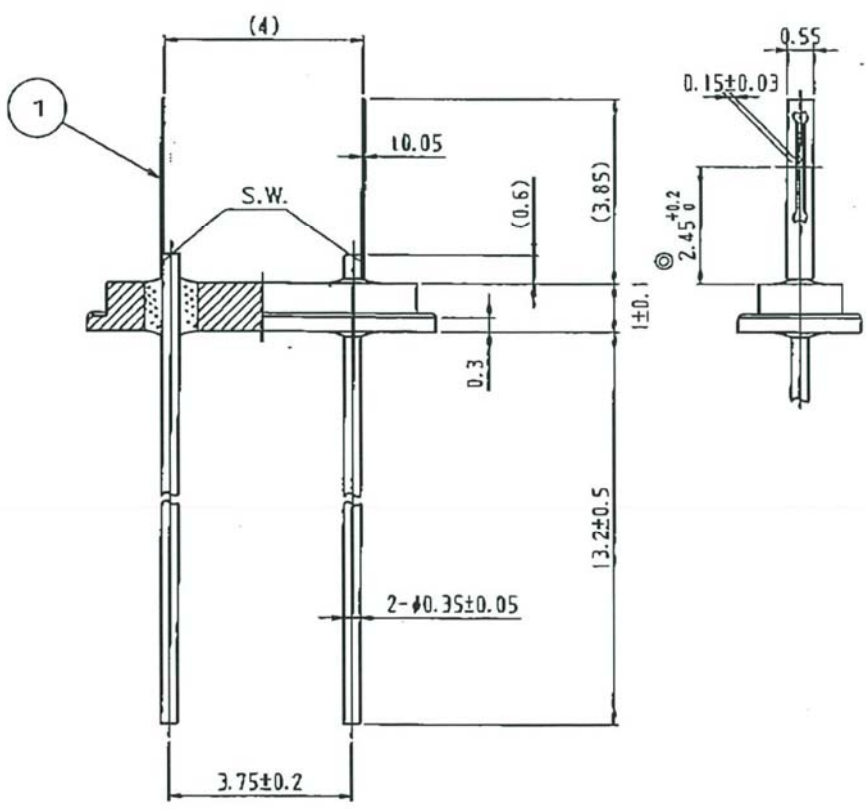
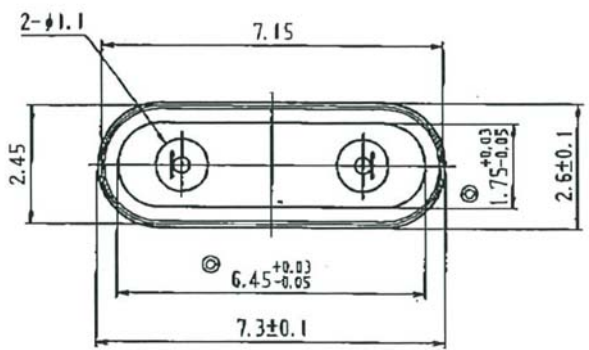
Support Plate



**CRYSTAL HOLDER FOR UM-5**

TYPE NO.		AHC-UM5-2P2L-4.5(NS)
MODEL		UM-5, 2P2L
BLANK SIZE		Φ 4.5
MATERIAL	HEADER	42 Alloy
	GLASS	HARD GLASS
	LEAD	KOVAR
	PLATE SUPPORT	NSSS-H
LEAD LENGTH		13.20mm
LEAD FINISH		NiC (1~3u)+ Au (0.05u~0.5u)

*RoHS COMPLIANT VERSION*





**CRYSTAL HOLDER FOR UM-5**

TYPE NO.		AHC-UM5-2P2L-4.5(KR)
MODEL		UM-5, 2P2L
BLANK SIZE		Φ 4.5
MATERIAL	HEADER	KOVAR
	GLASS	HARD GLASS
	LEAD	KOVAR
	PLATE SUPPORT	NSS-1/2H
LEAD LENGTH		13.20mm
LEAD FINISH		NiC (1~3u)+ Au (0.05u~0.5u)

*RoHS COMPLIANT VERSION*

