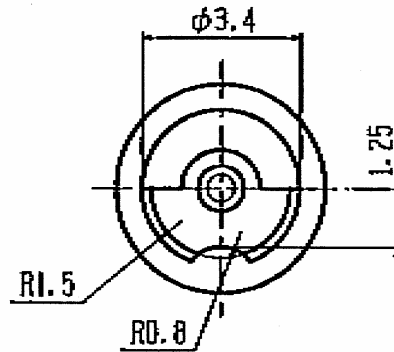
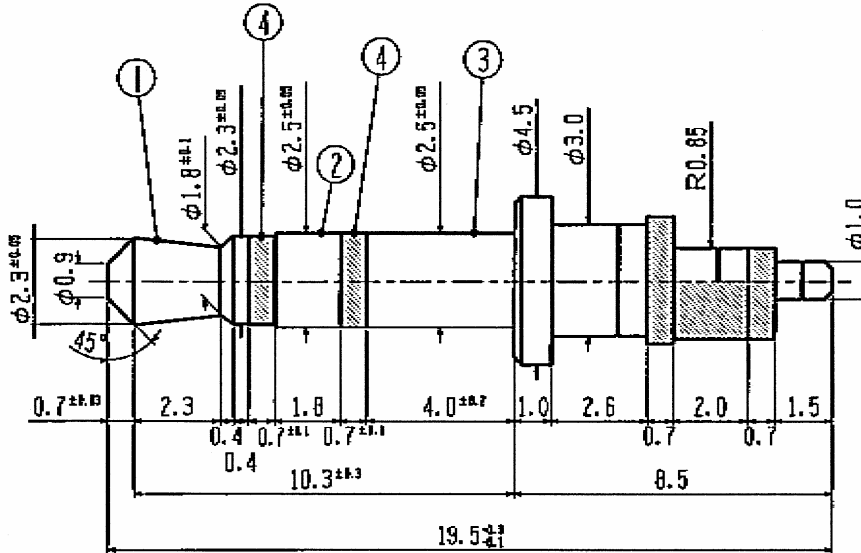


2.5mm, STEREO (3P) PLUG FOR MOLDING

TYPE	ATMP-D34
------	----------

RoHS Compliant version



No.	NAME	MATERIAL	PLATING
①	CHIP	C3602BD	NB-Cu-Ni-I
②	RING	C3604BD	NB-Cu-Ni-I
③	SLEEVE	C3604BD	NB-Cu-Ni-I
④	ISOLATED	POM	-----