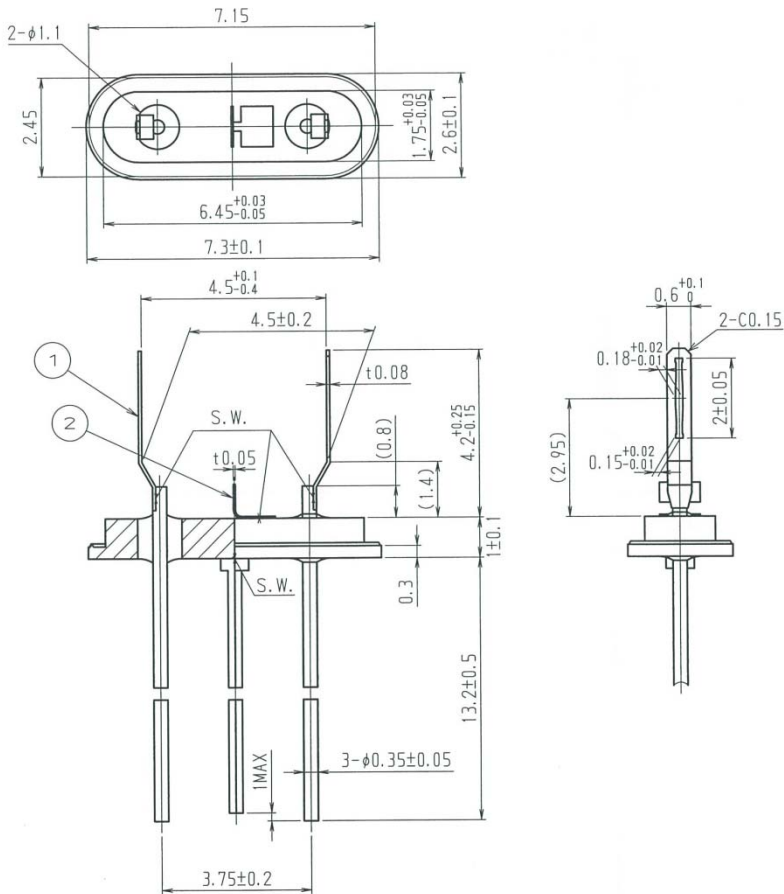


**CRYSTAL HOLDER FOR UM-1**

TYPE NO.		AHC-UM1-3P3L-5.0
MODEL		UM-1, 3P3L
BLANK SIZE		Φ5.0
MATERIAL	BASE	KOVAR
	GLASS	KOVAR HARD GLASS
	LEAD	KOVAR
	PLATE SUPPORT	STEINLESS STEEL
LEAD LENGTH		13.20mm
LEAD FINISH		NiC (1~3u)+ Au (0.05u~0.5u)

*RoHS COMPLIANT VERSION*



Support Plate

