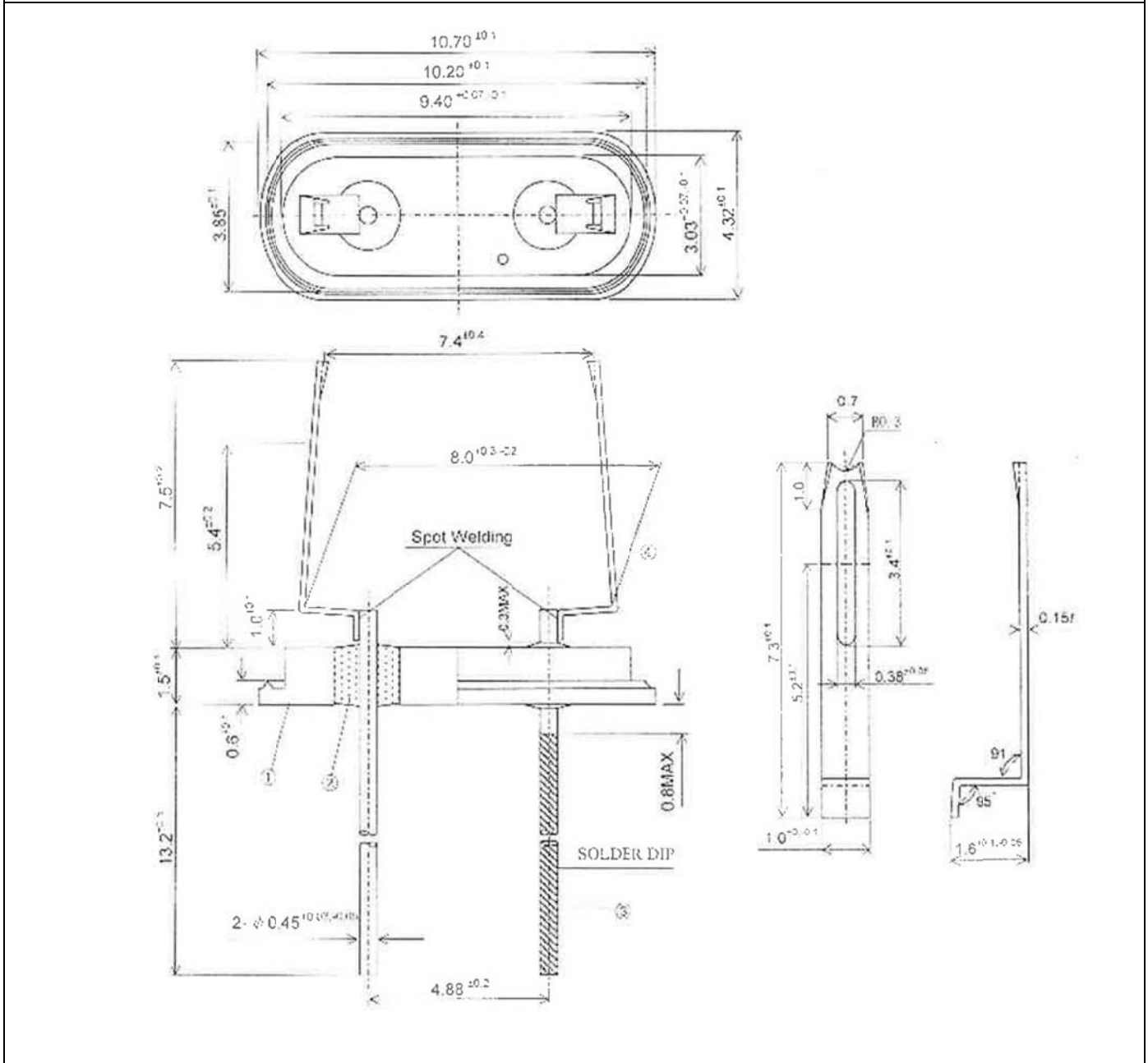


CRYSTAL HOLDER FOR HC-49/U

TYPE NO.		AHC-HC49U-2P2L-SLIT PIN	
MODEL		HC-49/U, 2P2L	
BLANK SIZE		Φ 8.7	
PART		MATERIAL	FINISH
HEADER	①	SPC	Ni-ELP 2~4u
GLASS	②	HARD GLASS	
LEAD	③	KOVAR	Sn-Cu Pb-Free Coating
SUPPORT PIN	④	NICKEL SILVER	----
LEAD LENGTH		13.20mm	

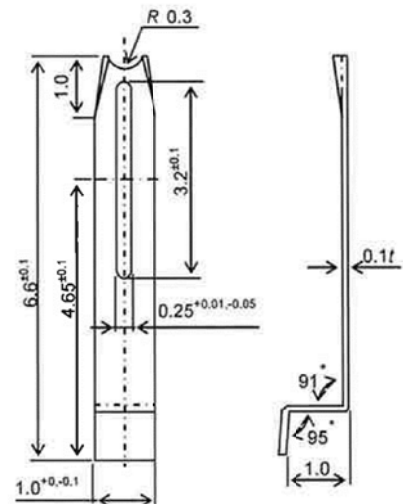
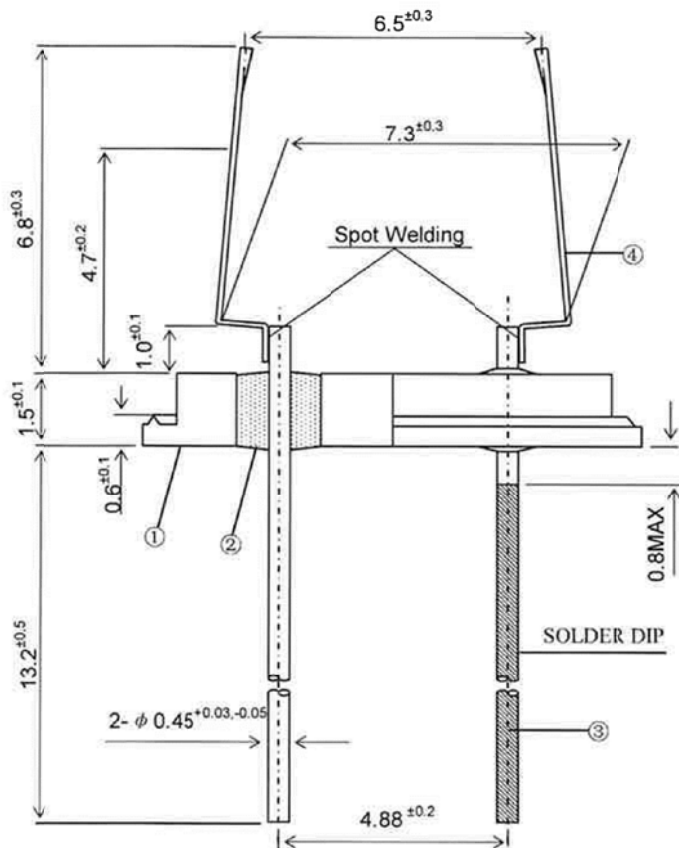
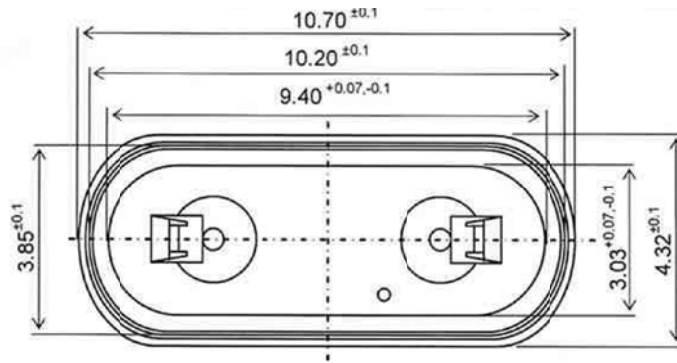
RoHS COMPLIANT VERSION



CRYSTAL HOLDER FOR HC-49/U

TYPE NO.		AHC-HC49U-2P2L-SLIT PIN	
MODEL		HC-49/U, 2P2L	
BLANK SIZE		Φ 8.0	
PART		MATERIAL	FINISH
HEADER	⑤	SPC	Ni-ELP 2~4u
GLASS	⑥	HARD GLASS	
LEAD	⑦	KOVAR	Sn-Cu Pb-Free Coating
SUPPORT PIN	⑧	NICKEL SILVER	----
LEAD LENGTH		13.20mm	

RoHS COMPLIANT VERSION



CRYSTAL HOLDER FOR HC-49/U

TYPE NO.		AHC-HC49U-2P2L-SLIT PIN	
MODEL		HC-49/U, 2P2L	
BLANK SIZE		Φ6.5	
PART		MATERIAL	FINISH
HEADER	⑨	SPC	Ni-ELP 2~4u
GLASS	⑩	HARD GLASS	
LEAD	⑪	KOVAR	Sn-Cu Pb-Free Coating
SUPPORT PIN	⑫	NICKEL SILVER	----
LEAD LENGTH		13.20mm	

RoHS COMPLIANT VERSION

