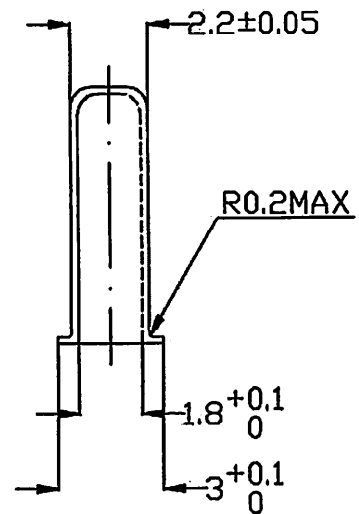
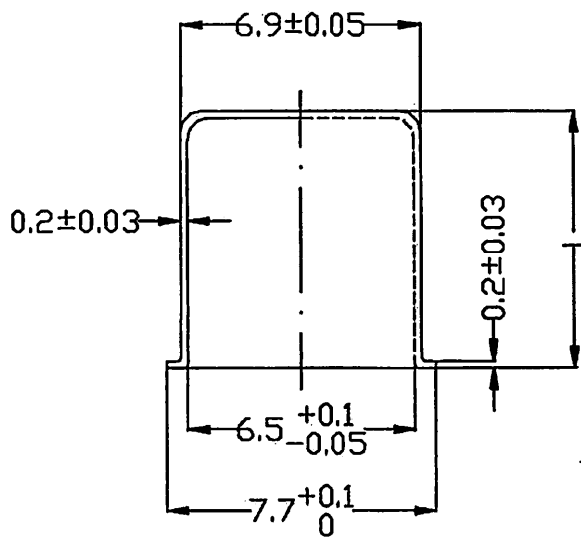
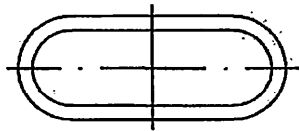


CRYSTAL CAP(CAN) FOR UM-1

TYPE NO.	ATC-UM1-7.50
MATERIAL	Nickel Sliver
FINISH	Ni-ELP 0.5 1 micron
HEIGHT	7.50mm+/-0.08mm

RoHS COMPLIANT VERSION



L=7.50mm+/-0.08mm