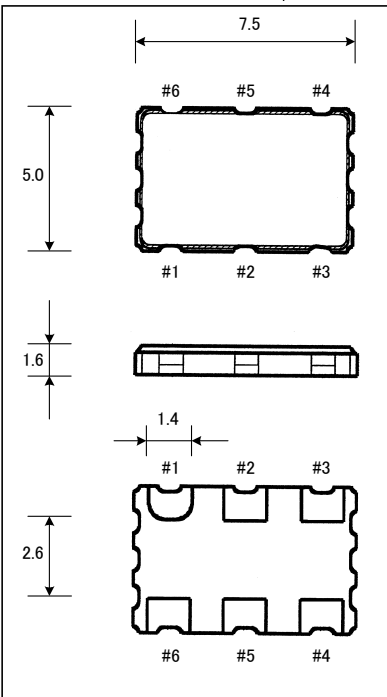


<b>VOLTAGE CONTROLLED CRYSTAL OSCILLATOR</b>	<b>(SMD TYPE)</b>	<b>AXK-L7550</b>
Surface Mount Type LVDS Voltage Controlled Crystal Oscillator		

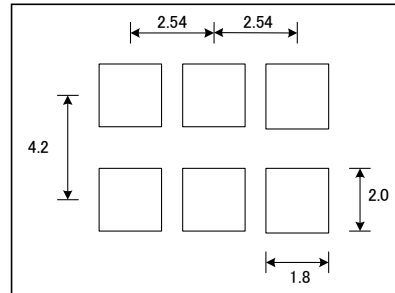
**SPECIFICATIONS**

Frequency Range	50 ~ 700.00	MHz
Frequency Stability	±25, ±50	ppm
Supply Voltage	3.3±5%	V
Control Voltage	1.65±1.5	V
Frequency Pulling	±80 min.	ppm
Differential Output Voltage	0.33 @1.25V	V
Symmetry	40/60	%
Rise/Fall Time	0.5 max.	nS
Load	100	Ω
Operating Temperature	-10~+70	°C
Storage Temperature	-50~+125	°C
Phase Jitter	5 max. (12KHz to 20MHz Band)	
		ps

**CASE DIMENSIONS (Unit:mm)**



**RECOMMENDED PADS**



(We recommend external by-pass filter 0.01uF)

**PIN CONNECTIONS**

Pin#1	Vcont	Pin#4	Output
Pin#2	E/D	Pin#5	Coutput
Pin#3	GND	Pin#6	V <sub>DD</sub>

**E/D FUNCTION**

Pin#2: Open	Pin#4,5: Active
Pin#2: ≤ 2.4V	Pin#4,5: Active
Pin#2: ≥ 0.4V	Pin#4,5: High-Z