

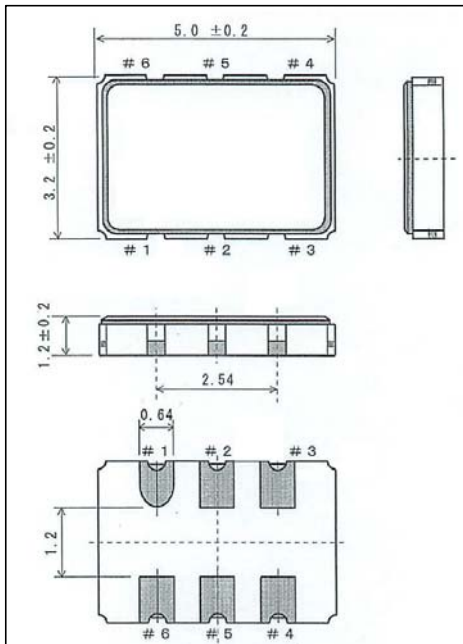
**VOLTAGE CONTROLLED
CRYSTAL OSCILLATOR** (SMD TYPE) **AXK-C5032J**
Surface Mount Type CMOS Voltage Controlled Crystal Oscillator(Low Jitter)

- PRELIMINARY -

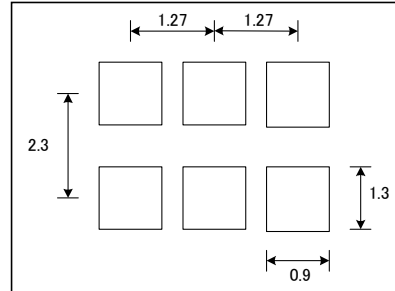
SPECIFICATIONS

Type No.	AXK-C5032J	
Frequency Range	30.000 ~ 160.00	MHz
Frequency Stability	±25, ±50	ppm
Supply Voltage	3.3±5%	V
Control Voltage	1.65 ± 1.50	V
Frequency Pulling	±80 min.	ppm
Current Consumption	32max.	mA
Output Voltage	V _{OH} : 2.97 min. V _{OL} : 0.33 max.	V
Symmetry	40/60	%
Rise/Fall Time	5 max.	nS
Load	15	pF
Operating Temperature	-10~+70/-40~+85	°C
Storage Temperature	-50~+125	°C
Phase Jitter	0.1 max. (@100MHz 12KHz to 20MHz)	ps

CASE DIMENSIONS (Unit:mm)



RECOMMENDED PADS



(We recommend external by-pass filter 0.01uF)

PIN CONNECTIONS

Pin#1	Vcont	Pin#4	Output
Pin#2	E/D	Pin#5	NC
Pin#3	Vss	Pin#6	V _{DD}

