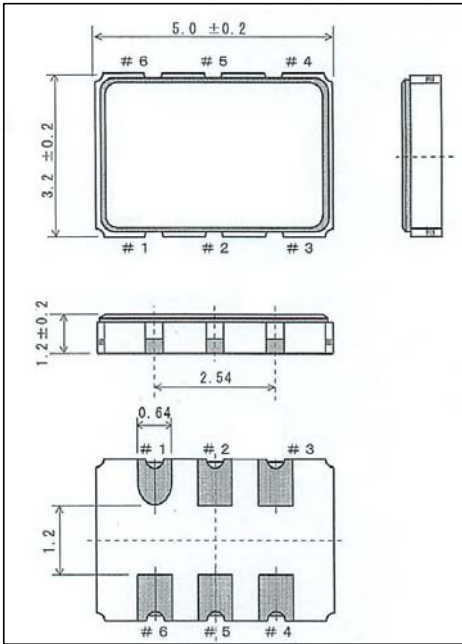


VOLTAGE CONTROLLED CRYSTAL OSCILLATOR	(SMD TYPE)	AXK-C5032
Surface Mount Type CMOS Voltage Controlled Crystal Oscillator		

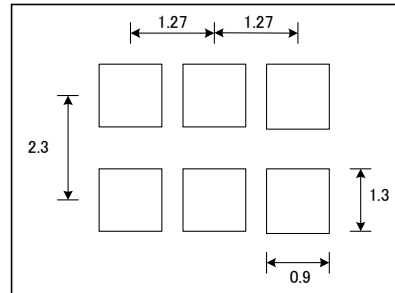
SPECIFICATIONS

Type No.	AXK-C5032	
Frequency Range	1 ~ 125.00	1 ~ 80.00 MHz
Frequency Stability	±25, ±50 ppm	
Supply Voltage	3.3±5%	5.0±5% V
Control Voltage	1.65 ± 1.5	2.5 ± 2.0 V
Frequency Pulling	± 50 min., ±100 min. ppm	
Current Consumption	35max.	50max. mA
Output Voltage	V_{OH} : 2.97 min.	V_{OH} : 4.50 min.
	V_{OL} : 0.33 max.	V_{OL} : 0.50 max.
Symmetry	40/60 %	
Rise/Fall Time	5 max. nS	
Load	15 pF	
Operating Temperature	-10~+70 °C	
Storage Temperature	-50~+125 °C	

CASE DIMENSIONS (Unit:mm)



RECOMMENDED PADS



(We recommend external by-pass filter 0.01uF)

PIN CONNECTIONS

Pin#1	Vcont	Pin#4	Output
Pin#2	E/D	Pin#5	NC
Pin#3	Vss	Pin#6	V _{DD}

E/D FUNCTION (Supply Voltage: 3.3V)

Pin#2: Open	Pin#4: Active
Pin#2: ≤ 2.7V	Pin#4: Active
Pin#2: ≥ 0.3V	Pin#4: High-Z

E/D FUNCTION (Supply Voltage: 5.0V)

Pin#2: Open	Pin#4: Active
Pin#2: ≤ 2.2V	Pin#4: Active
Pin#2: ≥ 0.8V	Pin#4: High-Z