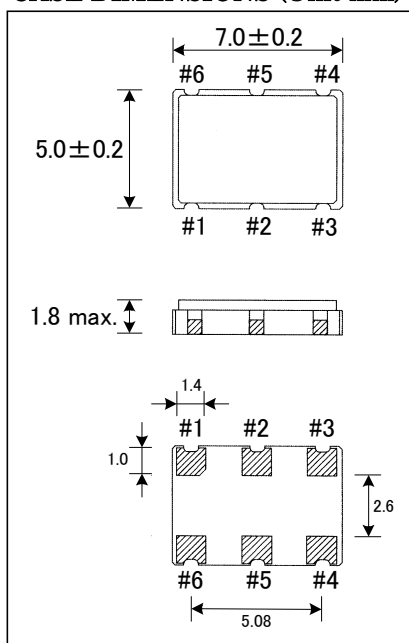


| | | |
|---|-------------------|------------------|
| VOLTAGE CONTROLLED CRYSTAL OSCILLATOR | (SMD TYPE) | AXF-C7050 |
| Surface Mount Type CMOS Voltage Controlled Crystal Oscillator | | |

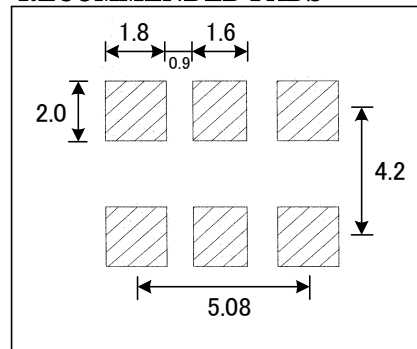
SPECIFICATIONS

| | | |
|-----------------------|-----------------------------|-----|
| Type No. | AXF-C7050 | |
| Frequency Range | 8 ~ 74.000 | MHz |
| Frequency Stability | $\pm 20, \pm 30, \pm 50$ | ppm |
| Supply Voltage | $3.3 \pm 5\%$ | V |
| Control Voltage | 1.65 ± 1.35 | V |
| Frequency Pulling | ± 100 min. | ppm |
| Current Consumption | 15max. | mA |
| Output Voltage | $V_{OH}: 0.9 * V_{DD}$ min. | V |
| | $V_{OL}: 0.1 * V_{DD}$ max. | |
| Symmetry | 45/55 | % |
| Rise/Fall Time | 3 typ. | nS |
| Load | 15 | pF |
| Operating Temperature | -40~+85 | °C |
| Storage Temperature | -50~+125 | °C |

CASE DIMENSIONS (Unit:mm)



RECOMMENDED PADS



(We recommend external by-pass filter 0.01uF)

PIN CONNECTIONS

| | | | |
|-------|---------|-------|-----------------|
| Pin#1 | Vcont | Pin#4 | Output |
| Pin#2 | E/D(NC) | Pin#5 | NC(E/D) |
| Pin#3 | GND | Pin#6 | V _{DD} |

E/D FUNCTION

| | |
|----------------------------|---------------|
| Pin#2or5: Open | Pin#4: Active |
| Pin#2or5: $\geq 0.7V_{DD}$ | Pin#4: Active |
| Pin#2or5: $\leq 0.3V_{DD}$ | Pin#4: High-Z |