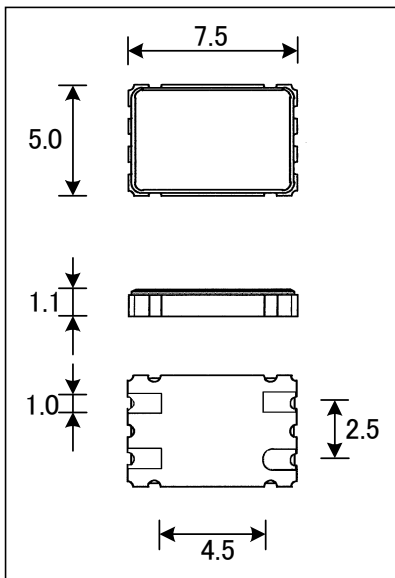


<b>CRYSTAL UNIT</b>	(SMD TYPE)	<b>AUK-7550M</b>
AT-Cut Surface Mount Type Crystal Unit		

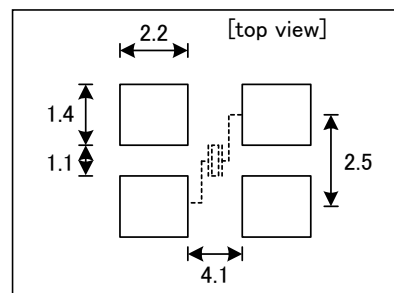
**SPECIFICATIONS**

Frequency Range	70.00~ 320.00	MHz
Operation Mode	Fundamental	
Frequency Tolerance@25°C	± 50	ppm
Frequency Stability	± 50	ppm
Load Capacitance	16.0	pF
Drive Level	0.1	mW
Operating Temperature	-10 ~70	°C
Storage Temperature	-40 ~ 85	°C
Shunt Capacitance(C0)	7.0 max.	pF
ESR	30	Ω

**CASE DIMENSIONS (Unit:mm)**



**RECOMMENDED PADS**



**PIN CONNECTIONS**

Pin#1	Crystal	Pin#3	Crystal
Pin#2	GND	Pin#4	GND