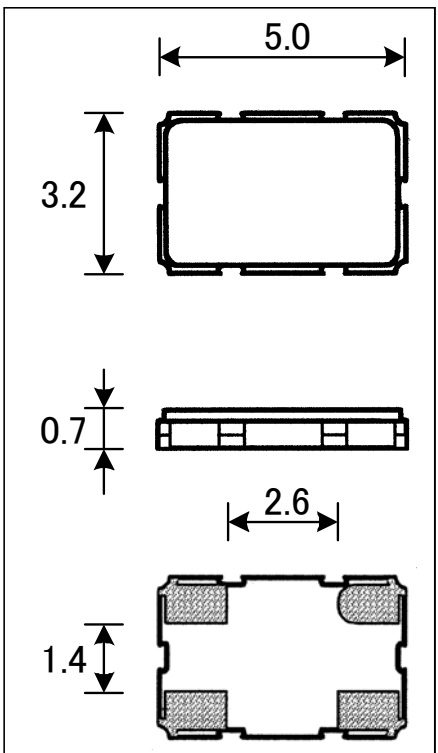


CRYSTAL UNIT	(SMD TYPE)	AUK-5032M
AT-Cut Surface Mount Type High Frequency Fundamental Crystal Unit		

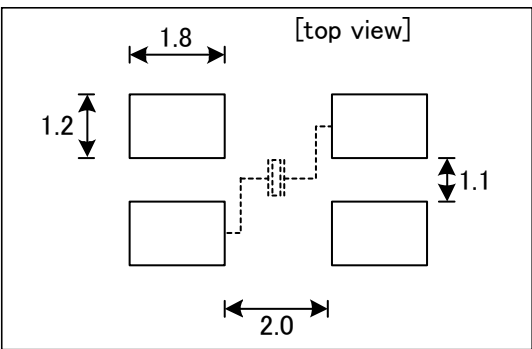
SPECIFICATIONS

Frequency Range	70 ~ 320.00	MHz
Oscillation mode	Fundamental	
Frequency Tolerance@25°C	±20	ppm
Frequency Stability	±20	ppm
Load Capacitance	8 ~ 32	pF
Drive Level	0.1	mW
Operating Temperature	-10~+70	°C
Storage Temperature	-40~+85	°C
Ageing / year	±3.0 max.	ppm
Equivalent Series Resistance	40	Ω

CASE DIMENSIONS (Unit:mm)



RECOMMENDED PADS



PIN CONNECTIONS

Pin#1	Crystal	Pin#3	Crystal
Pin#2	GND	Pin#4	GND

|

|