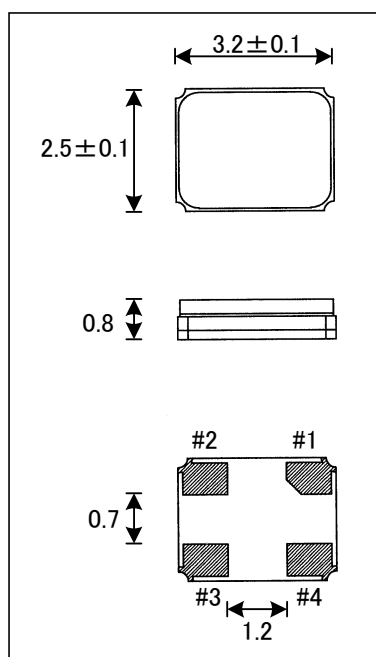


CRYSTAL UNIT	(SMD TYPE)	AUK-3225M
AT-Cut Surface Mount Type Crystal Unit with Inverted Mesa Blank		

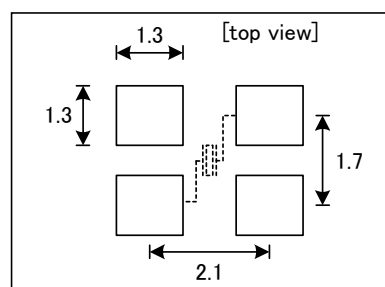
SPECIFICATIONS

Frequency Range	70 ~ 320.00	MHz
Operation Mode	Fundamental	
Frequency Tolerance@25°C	±30,±50	ppm
Frequency Stability	±30,±50	ppm
ESR	60 max.(10max. type available)	Ω
Load Capacitance	16	pF
Shunt Capacitance	5 max.	pF
Drive Level	0.1	mW
Operating Temperature	-10~+60, -40~+85	°C
Storage Temperature	-40~+90	°C

CASE DIMENSIONS (Unit:mm)



RECOMMENDED PADS



PIN CONNECTIONS

Pin#1	Crystal	Pin#3	Crystal
Pin#2	GND	Pin#4	GND