

CRYSTAL OSCILLATOR

(SMD TYPE)

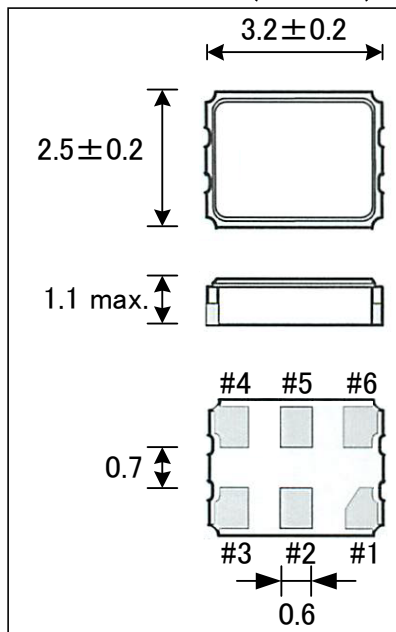
AOK-P3225M series

Surface Mount Type LVPECL Crystal Oscillator (Fundamental Mode Oscillation)

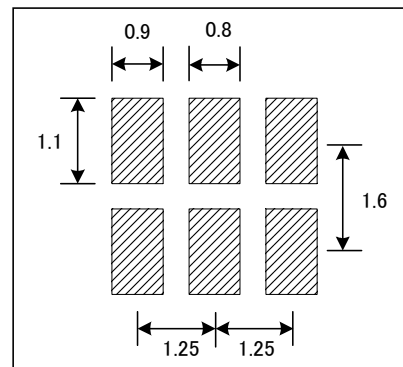
SPECIFICATIONS

Frequency Range	40 ~ 250.00	MHz
Frequency Stability	$\pm 25, \pm 50, \pm 100 (\leq 170\text{MHz}), \pm 50, \pm 100 (> 170\text{MHz})$	ppm
Supply Voltage	$2.5 \pm 5\%, 3.3 \pm 5\%$	V
Current Consumption	45 max. ($\leq 170\text{MHz}$), 50 max. ($> 170\text{MHz}$)	mA
Output Voltage	VOL: $V_{cc} - 1.81 \sim V_{cc} - 1.62$ VOH: $V_{cc} - 1.025 \sim V_{cc} - 0.88$	V
Symmetry	45/55	%
Rise/Fall Time	0.4	nS
Load	50 ($V_{tt} = V_{cc} - 2.0V$)	Ω
Operating Temperature	$-40 \sim +85, -40 \sim +125 (\pm 50\text{ppm})$	$^{\circ}\text{C}$
Storage Temperature	$-55 \sim +125$	$^{\circ}\text{C}$
Jitter	5 max. (RMS)	pS
Phase Jitter	1 max. (12KHz ~ 20MHz)	pS

CASE DIMENSIONS (Unit:mm)



RECOMMENDED PADS



PIN CONNECTIONS

Pin#1	E/D	Pin#4	Out 1
Pin#2	NC	Pin#5	Out 2
Pin#3	GND	Pin#6	Vcc

E/D FUNCTION

Pin#1,2	Open	Pin#4,5	Active
Pin#1,2	$\geq 0.7V_{cc}$	Pin#4,5	Active
Pin#1,2	$\leq 0.3V_{cc}$	Pin#4,5	High-Z