

# CRYSTAL OSCILLATOR

(SMD TYPE)

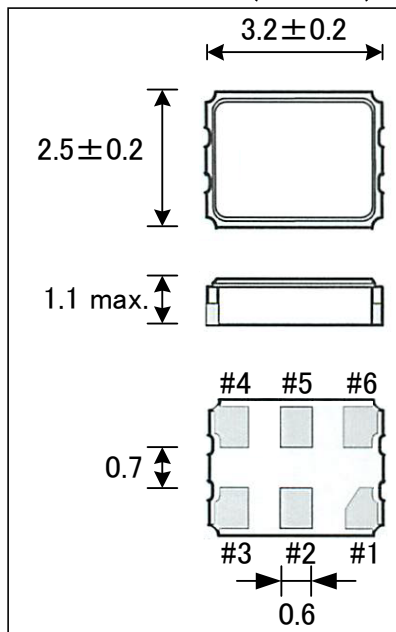
AOK-L3225M series

Surface Mount Type LVDS Crystal Oscillator (Fundamental Mode Oscillation)

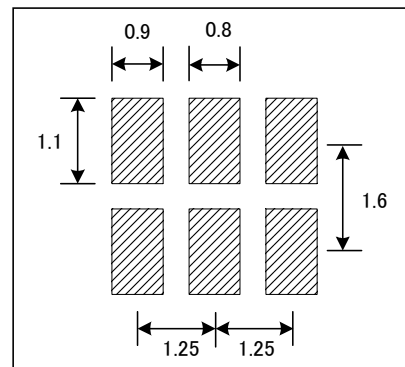
## SPECIFICATIONS

Frequency Range	40 ~ 250.00	MHz
Frequency Stability	$\pm 25, \pm 50, \pm 100 (\leq 170\text{MHz}), \pm 50, \pm 100 (> 170\text{MHz})$	ppm
Supply Voltage	$2.5 \pm 5\%, 3.3 \pm 5\%$	V
Current Consumption	20 max.	mA
Differential Output Voltage	0.247~0.454 (@1.25V)	V
Symmetry	45/55	%
Rise/Fall Time	0.4	nS
Load	100	$\Omega$
Operating Temperature	-40~+85, -40~+125( $\pm 50\text{ppm}$ )	$^{\circ}\text{C}$
Storage Temperature	-55~+125	$^{\circ}\text{C}$
Jitter	5 max. (RMS)	pS
Phase Jitter	1 max. (12KHz ~ 20MHz)	pS

## CASE DIMENSIONS (Unit:mm)



## RECOMMENDED PADS



## PIN CONNECTIONS

Pin#1	E/D	Pin#4	Out 1
Pin#2	NC	Pin#5	Out 2
Pin#3	GND	Pin#6	Vcc

## E/D FUNCTION

Pin#1,2	Open	Pin#4,5	Active
Pin#1,2	$\geq 0.7V_{cc}$	Pin#4,5	Active
Pin#1,2	$\leq 0.3V_{cc}$	Pin#4,5	High-Z