

CRYSTAL OSCILLATOR

(SMD TYPE)

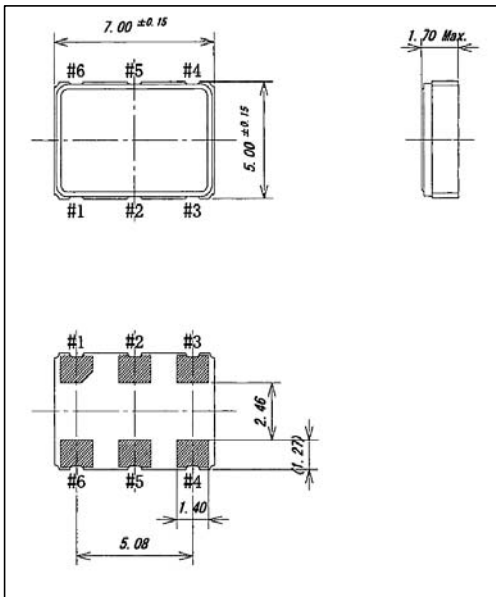
AOF-P7050

Surface Mount Type PECL Crystal Oscillator

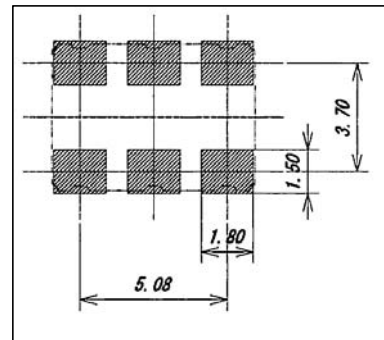
SPECIFICATIONS

Type No.	AOF-P7050		
Frequency Range	25 ~ 400.000		MHz
Frequency Stability	±25,±50		ppm
Supply Voltage	2.5 ± 5%	3.3 ± 5%	V
Current Consumption	70 max.		mA
Output Voltage(V _{OH})	1.475 min.	2.275 min.	V
Output Voltage(V _{OL})	1.095 max.	1.680 max.	
Symmetry	45/55(25~350MHz), 40/60(350MHz~)		%
Rise/Fall Time	0.7 max.		nS
Load	50 (V _{DD} -2.0V)		Ω
Operating Temperature	-40~+85		°C
Storage Temperature	-50~+125		°C
Jitter RMS	0.3 typ. (12KHz to 20MHz Band)		pS
Aging	±5 max. /year		ppm

CASE DIMENSIONS (Unit:mm)



RECOMMENDED PADS



(We recommend external by-pass filter 0.01uF)

E/D FUNCTION

Pin#1: Open	Pin#4,#5: Active
Pin#1: $\geq 0.7V_{DD}$	Pin#4,#5: Active
Pin#1: $\leq 0.3V_{DD}$	Pin#4,#5: High-Z

PIN CONNECTIONS

Pin#1	E/D	Pin#4	Output
Pin#2	NC	Pin#5	COutput
Pin#3	V _{SS}	Pin#6	V _{DD}