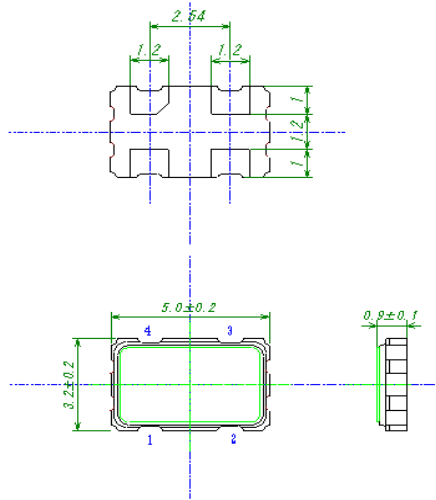


<b>CRYSTAL OSCILLATOR</b>	(SMD TYPE)	<b>AOF-C5032</b>
Surface Mount Type CMOS Crystal Oscillator		

**SPECIFICATIONS**

Type No.	AOF-C5032		
Frequency Range	25 ~ 148.000	25 ~ 156.000	MHz
Frequency Stability	$\pm 25, \pm 50$		ppm
Supply Voltage	$2.5 \pm 5\%$	$3.3 \pm 5\%$	V
Current Consumption	66 max.		
Output Voltage	$V_{OH}: 2.1V \text{ min.} / V_{OL}: 0.4V \text{ max.}$		
Symmetry	45/55		%
Rise/Fall Time	6.0 max.		
Load	15		
Operating Temperature	$-40 \sim +85$		
Storage Temperature	$-50 \sim +125$		
Jitter RMS	3 max. (12KHz to 20MHz Band)		

**CASE DIMENSIONS (Unit:mm)**



**RECOMMENDED PADS**

(We recommend external by-pass filter 0.01uF)

**E/D FUNCTION**

Pin#1: Open	Pin#3: Active
Pin#1: $\geq 0.7V_{DD}$	Pin#3: Active
Pin#1: $\leq 0.3V_{DD}$	Pin#3: High-Z

Output Disable Time: 150ns max.

**PIN CONNECTIONS**

Pin#1	E/D	Pin#3	Output
Pin#2	GND	Pin#4	$V_{DD}$